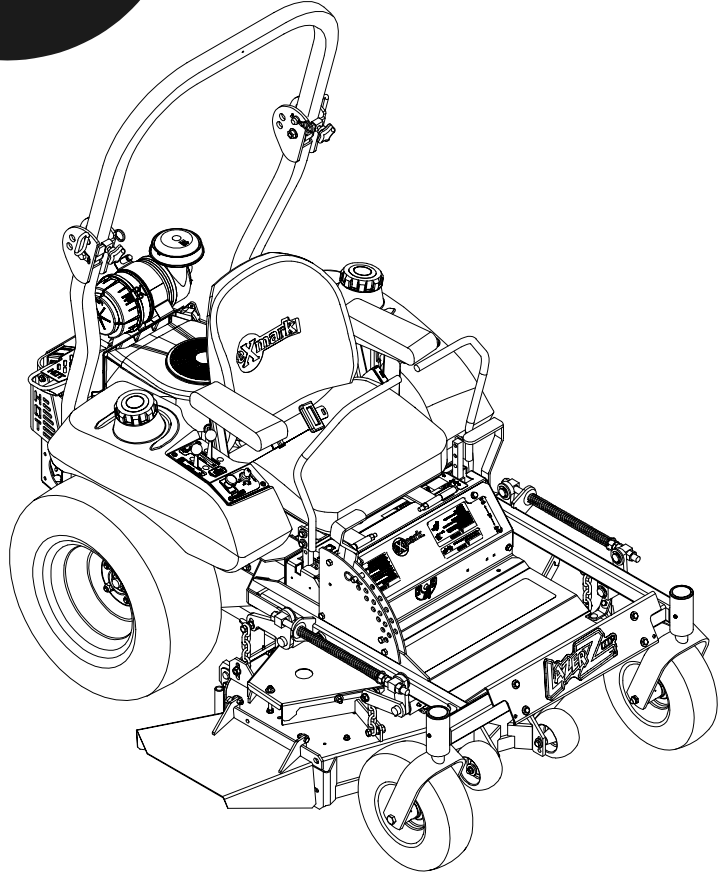


For Serial Nos.
510,000 & Higher



PARTS MANUAL

LAZER Z[®] HP

CONGRATULATIONS on the purchase of your new Exmark mower. This product has been carefully designed and manufactured to give you a maximum amount of dependability and years of trouble-free operation. If additional information is needed, or should you require trained mechanic service, contact your authorized Exmark equipment dealer or distributor. If you need to order replacement parts from your dealer, always give the model number and serial number of your mower as well as the part number, description and quantity of the part needed.

The Serial No. plate is located on the right side of the console. For ease of ordering and reference, we suggest that you record the information requested in the following identification table.

Place Model No. and Serial No. Label Here
(Included in Literature Pack)
or Fill in Below

Model No. _____

Serial No. _____

Engine Model No. and Spec. No. (Code) _____

Engine Serial No. (E/No) _____

Date Purchased _____

EXMARK PARTS PLUS® PROGRAM

EFFECTIVE DATE: September 1, 1995

Program

If your Exmark dealer does not have the Exmark part in stock, Exmark will get the parts to the dealer the next business day or the part will be FREE* Guaranteed!!

How the Program Works

1. If dealer does not have part in stock for a "down" unit at the time of request by customer, the dealer contacts his distributor by 1:00 p.m., local time, and requests Exmark Parts Plus® shipment of six (6) line items or less.
2. Distributor ships part(s) to dealer or customer, as requested by dealer, same day, overnight UPS. Distributor bills dealer for part and freight charges where applicable.
3. If distributor does not have the part(s) in stock to satisfy Exmark Parts Plus® order, he contacts Exmark by 3:00 p.m., central time, with an Exmark Parts Plus® order of six (6) line items or less.
4. If order is received by 3:00 p.m. central time, Exmark ships part(s) direct to dealer or customer, as requested by distributor, same day, overnight UPS. Exmark bills the distributor for parts and shipping charges, where applicable.
5. The customer pays for the part and freight if it is shipped under the Exmark Parts Plus® and if it arrives in accordance to the program.
6. Who pays for the part and freight if it fails to arrive overnight in accordance to the program?
 - A. Under any circumstance the customer does not pay.
 - B. If the part does not arrive overnight due to:
 1. The dealer not submitting the Exmark Parts Plus® order to his Exmark distributor by 1:00 p.m., the dealer pays for the part and freight.
 2. The Distributor being unable to ship the part the same day or not submitting the Exmark Parts Plus® order to Exmark by 3:00 p.m., central time, the Distributor pays for the part and freight.
 3. Exmark being unable to ship the part and the Exmark parts order is received by 3:00 p.m., central time, Exmark pays for the part and freight.
 4. If the part does not arrive overnight due to the shipper (UPS), the shipper pays for the freight and Exmark pays for the part.



The following restrictions apply -- The Exmark Parts Plus® Program is available only through participating Exmark Dealers and applies only to orders submitted on this program Monday through Thursday. Parts Plus service is available only in the contiguous 48 United States. UPS has initiated a Saturday delivery program to many areas of the continental United States and can be requested for an overnight shipment on Friday to be delivered Saturday. The next day air charge, plus the Saturday delivery fee will be the responsibility of the purchaser. Exmark Mfg. will assume no responsibility for Saturday delivery shipments. To qualify, all Exmark Parts Plus® orders must be received by Exmark by 3:00 p.m., central time. Orders must be six (6) line items or less. Exclusions from the Exmark Parts Plus® Program are: Any wholegood or accessory in its entirety, engines and engine replacement parts, 5-speed Peerless transmissions and 5-speed transaxles, hydraulic or hydrostatic wheel motors, cutter decks and engine decks or any item exceeding United Parcel Service size and weight restrictions.

Due to UPS restrictions, aerosol spray paint is considered a hazardous material and cannot be shipped via UPS next day or Second Day Air.

Exmark Manufacturing stocks a limited supply of parts for transaxles, pumps and wheel motors. These parts can be ordered for Next Day Air shipment but will not be guaranteed per the Parts Plus Program.



**READ OPERATOR'S MANUAL BEFORE
OPERATING OR SERVICING EXMARK EQUIPMENT.**

TABLE OF CONTENTS

<u>Description</u>	<u>Page</u>
44" and 48" Deck Group	3-4
52" Deck Group	5-6
Decal Group	21-22
Electrical Diagram(s)	23-24
Electrical Group	19-20
Electrical Logic Schematic(s).....	25-26
Engine Group	17-18
Front Frame Group	7-8
Fuel Group.....	11
Hydraulic Group	15-16
Main Frame Group.....	9-10
Motion Control Group	12
Park Brake Group	13-14

44" and 48" DECK GROUP

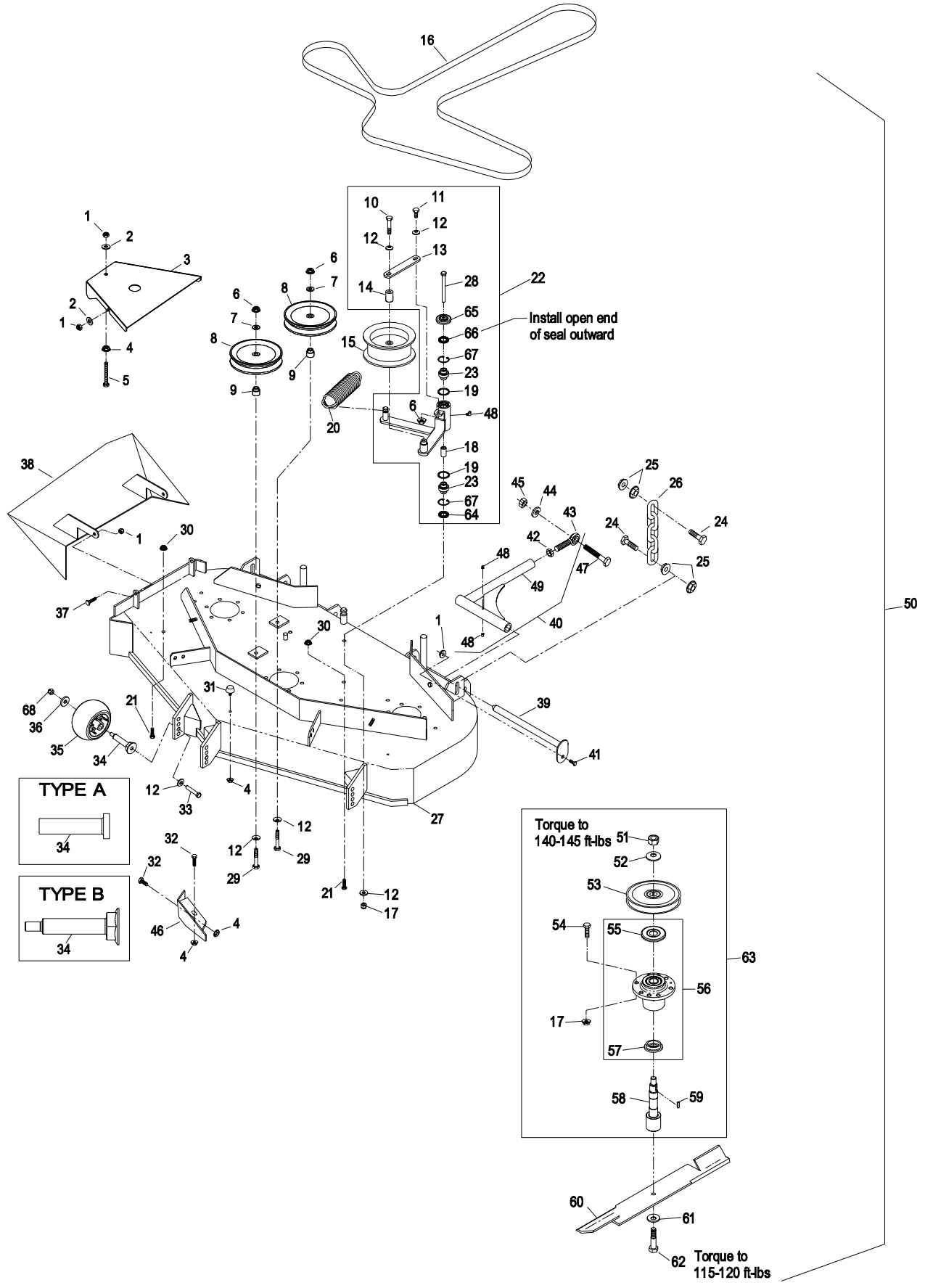
Item	Part No.	Description	Qty.
1	3296-29	Nut, Nyloc 5/16-18	10
2	3256-3	Washer, 5/16 Std Flat	6
3	103-2970-01	Shield, Belt	2
4	32128-20	Nut, Whizlock 5/16-18.....	5
5	1-800017	Bolt, 5/16 x 3 1/4 Tap.....	2
6	3290-357	Nut, Whizlock 3/8-16.....	3
7	3256-24	Washer, 3/8 SAE Flat	2
8	1-613098	Pulley, Idler	2
9	1-413113	Bushing, Idler.....	2
10	323-11	Screw, 3/8-19 x 2 1/4	1
11	323-6	Screw, 3/8-16 x 1	1
12	98-5975	Washer, Disc Spring 3/8	8
13	103-5668	Plate, Belt Guide.....	1
14	1-653190	Spacer	1
15	1-413099	Pulley, Idler	1
16	1-413308	Belt, Deck Drive (48").....	1
	1-413093	Belt, Deck Drive (44").....	1
17	3296-39	Nut, Nyloc 3/8-16	19
18	1-603401	Spacer	1
19	106-7159	O-ring.....	2
20	103-3330	Spring, Extension.....	1
21	321-1	Screw, 1/4-20 x 3/8 (48").....	4
	321-1	Screw, 1/4-20 x 3/8 (44").....	2
22■	103-5698	Kit, Idler Arm W/Bearings	1
23	103-3504	Bearing, Spherical.....	2
24	103-1898	Screw, 7/16-14 x 1 5/8	8
25	32128-37	Nut, Whizlock 7/16-14.....	16
26	1-633447	Chain, Deck Lift	4
27	1-651312	Deck Wldmt (1-652311-01) W/Decals (48").....	1
	1-654175	Deck Wldmt (1-652124-01) W/Decals (44").....	1
28	323-39	Screw, 3/8-16 x 5	1
29	323-13	Screw, 3/8-16 x 2 3/4	2
30	32128-33	Nut, Whizlock 1/4-20 (48")	4
	32128-33	Nut, Whizlock 1/4-20 (44")	2
31	1-543963	Bumper, Rubber.....	1
32	322-2	Screw, 5/16-18 x 5/8	2
33✱	98-5961	Screw, 3/8-16 x 4 Gr 8 (Type A).....	3
✱	3211-46	Screw, HH 3/8-24 x 2 Gr8 (Type B).....	3
34✱	1-603602	Axle, Anti-Scalp Roller (Type A).....	3
✱	103-5364	Axle, Anti-Scalp Roller (Type B).....	3
35+	1-603299	Roller, Anti-Scalp	3
36	1-373034	Washer, Swivel.....	3
37	322-5	Screw, 5/16-18 x 1	2

Item	Part No.	Description	Qty.
38	1-402106-01	Chute Wldmt, Discharge.....	1
39	1-632199-01	Pin Wldmt, Deck Strut	2
40	103-1081	Strut Wldmt, Assembly	2
41	322-3	Screw, 5/16-18 x 3/4	2
42	3219-6	Nut, 5/8-18	2
43	1-633029	Spherical Rod End.....	2
44	3253-8	Washer, Lock 5/8	2
45	3217-11	Nut, 5/8-11.....	2
46	1-522480-01	Baffle, Discharge	1
47	1-800344	Screw, 5/8-11 x 6.....	2
48	302-19	Zerk, 1/4-18 Straight	5
49	103-1072-01	Strut Wldmt	2
50◆	1-654550	Deck Complete Service (44").....	1
	1-654551	Deck Complete Service (48").....	1
51*	3217-46	Nut, 3/4-16 Heavy	3
52	103-2802	Washer, Disc Spring 3/4.....	3
53★	1-653099	Sheave, Blade Drive (44").....	3
★	1-413424	Sheave, Blade Drive (48").....	3
54	323-7	Screw, 3/8-16 x 1 1/4.....	18
55★	103-1330	Guard, Bearing Top	3
56★	103-8280	Housing W/Bearings	3
57	103-2535	Spacer, Guard Bottom	3
58★	103-2787	Spindle	3
59	1-807268	Key, Machine.....	3
60	103-2529	Blade, Notched (44").....	3
	103-2509	Blade, Low Lift (44").....	3
◆	103-2519	Blade, Mulching (44").....	3
	103-1579	Blade, Solid (44").....	3
	103-6335	Blade, Extreme (44").....	3
	103-6583	Blade, Notched (48").....	3
	103-2507	Blade, Low Lift (48").....	3
◆	103-6581	Blade, Mulching (48").....	3
	103-1577	Blade, Solid (48").....	3
	103-6336	Blade, Extreme (48").....	3
61	103-0865	Washer, Disc Spring 5/8.....	3
62	103-0862	Screw, 5/8-18 x 2 3/4 Gr 8	3
63▲	103-8317	Cutter Housing Complete (44")	3
▲	103-8318	Cutter Housing Complete (48")	3
64	103-3505	Seal, Double, Lip	1
65	103-2916	Guard, Top	1
66	103-3506	Seal, Single Lip.....	1
67	32120-10	Ring, Retaining	2
68✱	3290-357	Nut, Whizlock 3/8-16 (Type A)	5
✱	3296-39	Nut, Nyloc 3/8-16 (Type B)	5

Exmark red touch up spray paint - P/N 1-850337.

- ◆ Requires installation of Micro-Mulch accessory for proper mulching. Mulch kit P/N MK443(44"), MK483(48").
- ★ Apply Mobil HTS grease (P/N 103-5217 1.5 oz packet) (or a food-grade anti-sieze) between the spindles & bearings and spindles & sheaves and under top bearing guard. DO NOT use a copper or nickel based anti-sieze.
- ✱ Unit may have been built with Type A or Type B anti scalp axles. Reference page 4 to determine which axles are installed on the unit.
- ✚ Kit 103-3168 includes antiscalp roller, axle, & mounting hardware for Type A axles. Kit 103-7263 includes antiscalp roller, axle, & mounting hardware for Type B axles.
- ▲ Complete cutter housings also include items #61 & #62.
- Idler arm assembly also includes items #12 & #17.
- ◆ Includes all items shown plus decals.
- * Use Pro-Lock, Nut Type (P/N 1-840022, .5 ml tube) on nut item #51.

44" and 48" DECK GROUP



52" DECK GROUP

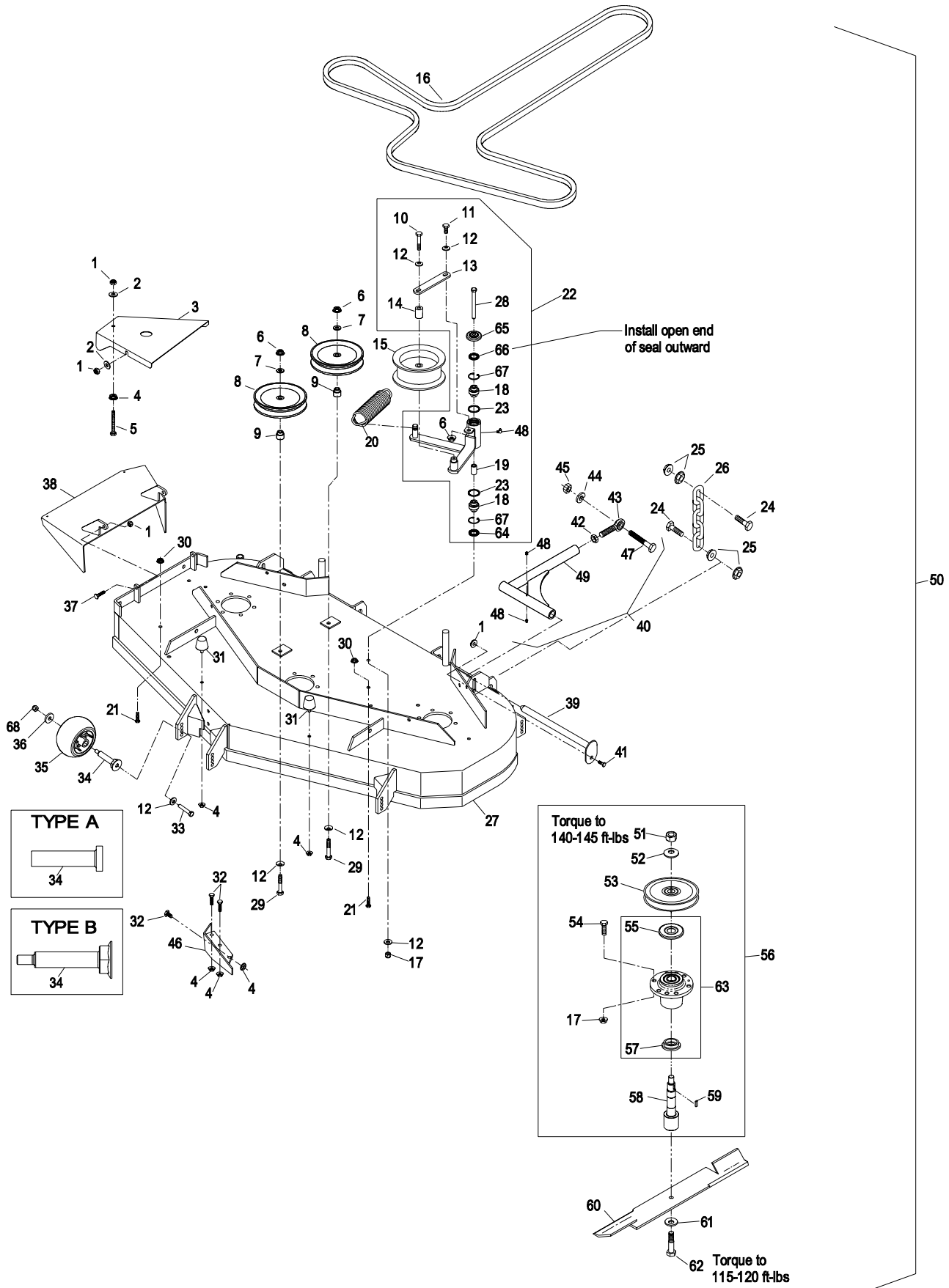
Item	Part No.	Description	Qty.
1	3296-29	Nut, Nyloc 5/16-18	10
2	3256-3	Washer, 5/16 Std Flat	6
3	103-2970-01	Shield, Belt	2
4	32128-20	Nut, Whizlock 5/16-18.....	7
5	1-800017	Bolt, 5/16 x 3 1/4 Tap.....	2
6	3290-357	Nut, Whizlock 3/8-16.....	3
7	3256-24	Washer, 3/8 SAE Flat	2
8	1-613098	Pulley, Idler	2
9	1-413113	Bushing, Idler.....	2
10	323-11	Screw, 3/8-19 x 2 1/4	1
11	323-6	Screw, 3/8-16 x 1	1
12	98-5975	Washer, Disc Spring 3/8.....	10
13	103-5668	Plate, Belt Guide.....	1
14	1-653190	Spacer	1
15	1-413099	Pulley, Idler	1
16	1-653368	Belt, Deck Drive	1
17	3296-39	Nut, Nyloc 3/8-16	19
18	103-3504	Bearing, Spherical.....	2
19	1-603401	Spacer	1
20	103-3330	Spring, Extension.....	1
21	321-1	Screw, 1/4-20 x 3/8.....	4
22■	103-5698	Kit, Idler Arm W/Bearings	1
23	106-7159	O-ring.....	2
24	103-1898	Screw, 7/16-14 x 1 5/8	8
25	32128-37	Nut, Whizlock 7/16-14.....	16
26	1-633447	Chain, Deck Lift	4
27	1-654478	Deck Wldmt (1-652418-01) W/Decals... 1	
28	323-39	Screw, 3/8-16 x 5	1
29	323-13	Screw, 3/8-16 x 2 3/4	2
30	32128-33	Nut, Whizlock 1/4-20.....	4
31	1-543963	Bumper, Rubber.....	2
32	322-2	Screw, 5/16-18 x 5/8.....	3
33★	98-5961	Screw, 3/8-16 x 4 Gr 8 (Type A).....	5
★	3211-46	Screw, HH 3/8-24 x 2 Gr8 (Type B).....	5
34★	1-603602	Axle, Anti-Scalp Roller (Type A).....	5
★	103-5364	Axle, Anti-Scalp Roller (Type B).....	5
35+	1-603299	Roller, Anti-Scalp	5
36	1-373034	Washer, Swivel.....	5

Item	Part No.	Description	Qty.
37	322-5	Screw, 5/16-18 x 1	2
38	1-652375-01	Chute Wldmt, Discharge.....	1
39	1-632199-01	Pin Wldmt, Deck Strut	2
40	103-1081	Strut Wldmt, Assembly	2
41	322-3	Screw, 5/16-18 x 3/4	2
42	3219-6	Nut, 5/8-18	2
43	1-633029	Spherical Rod End.....	2
44	3253-8	Washer, Lock 5/8	2
45	3217-11	Nut, 5/8-11.....	2
46	1-602913-01	Baffle, Discharge	1
47	1-800344	Screw, 5/8-11 x 6.....	2
48	302-19	Zerk, 1/4-18 Straight.....	5
49	103-1072-01	Strut Wldmt	2
50◆	1-654552	Deck Complete Service	1
51*	3217-46	Nut, 3/4-16 Heavy	3
52	103-2802	Washer, Disc Spring 3/4.....	3
53★	1-653386	Sheave, Blade Drive	3
54	323-7	Screw, 3/8-16 x 1 1/4.....	18
55★	103-1330	Guard, Bearing Top	3
56▲	103-8319	Cutter Housing Complete.....	3
57	103-2535	Spacer, Guard Bottom	3
58★	103-2787	Spindle	3
59	1-807268	Key, Machine.....	3
60	103-6584	Blade, Notched	3
	103-6580	Blade, Low Lift.....	3
◆	103-6582	Blade, Mulching.....	3
	103-1578	Blade, Solid	3
	103-6337	Blade, Extreme	3
61	103-0865	Washer, Disc Spring 5/8.....	3
62	103-0862	Screw, 5/8-18 x 2 3/4 Gr 8	3
63★	103-8280	Housing W/Bearings.....	3
64	103-3505	Seal, Double, Lip	1
65	103-2916	Guard, Top	1
66	103-3506	Seal, Single Lip.....	1
67	32120-10	Ring, Retaining	2
68★	3290-357	Nut, Whizlock 3/8-16 (Type A).....	5
★	3296-39	Nut, Nyloc 3/8-16 (Type B)	5

Exmark red touch up spray paint - P/N 1-850337.

- ◆ Requires installation of Micro-Mulch accessory for proper mulching. Mulch kit P/N MK523(52").
- ★ Apply Mobil HTS grease (or a food-grade anti-sieze) between the spindles & bearings and spindles & sheaves and under top bearing guard. DO NOT use a copper or nickel based anti-sieze.
- ✘ Unit may have been built with Type A or Type B anti scalp axles. Reference page 6 to determine which axles are installed on the unit.
- ⊕ Kit 103-3168 includes antiscalp roller, axle, & mounting hardware for Type A axles. Kit 103-7263 includes antiscalp roller, axle, & mounting hardware for Type B axles.
- ▲ Complete cutter housings also include items #61 & #62.
- Idler arm assembly also includes items #12 & #17.
- ◆ Includes all items shown plus decals.
- * Use Pro-Lock, Nut Type (P/N 1-840022, .5 ml tube) on nut item #51.

52" DECK GROUP



FRONT FRAME GROUP

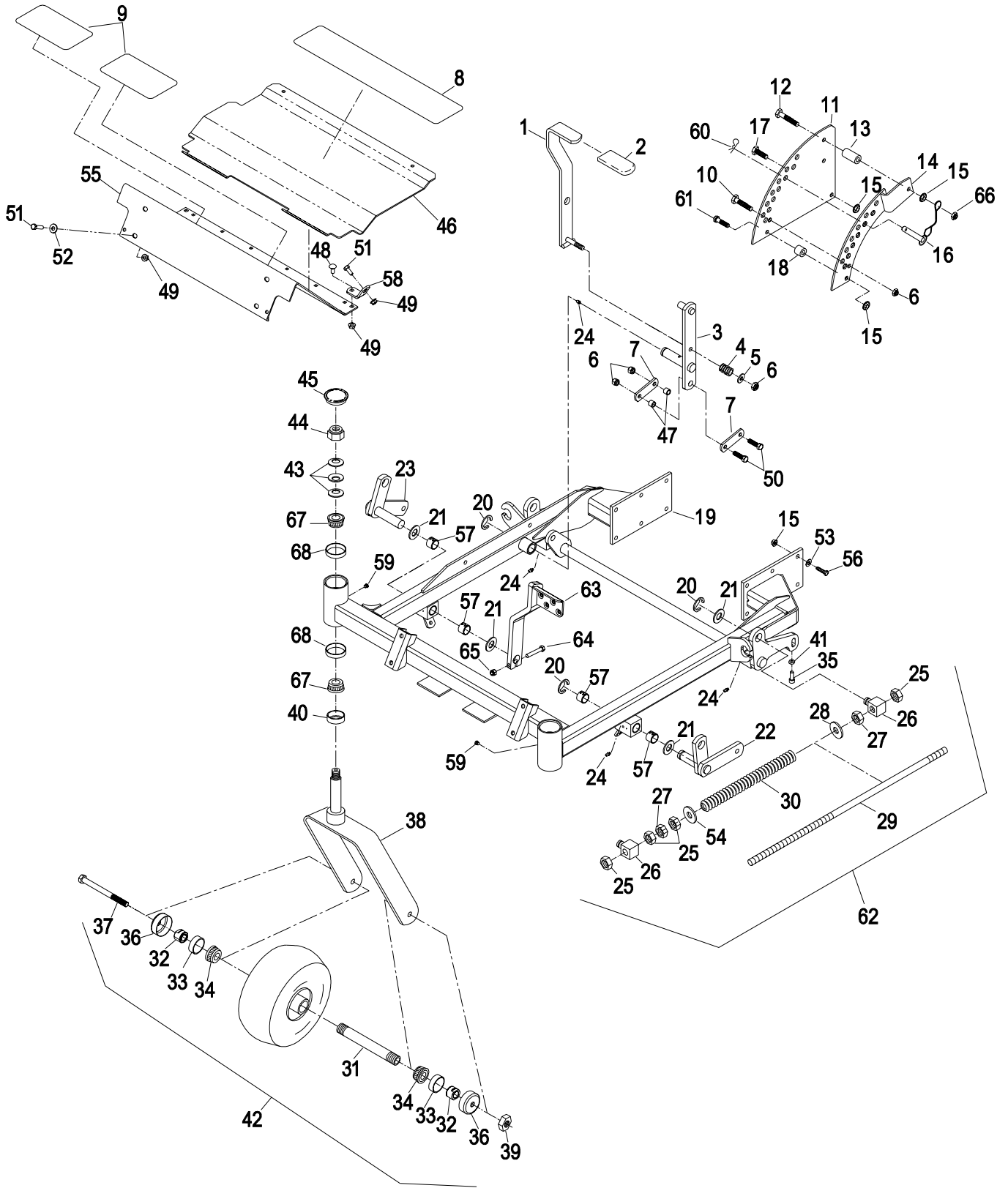
Item	Part No.	Description	Qty.
1	103-2081	Asm, Lever W/Grip (103-2078-03)	1
2	1-633295	Grip, Lift Lever	1
3	103-3718-03	Arm Wldmt, Deck Lift	1
4	1-633325	Spring, Compression	1
5	3256-24	Washer, 3/8 SAE	1
6	3296-39	Nut, Nyloc 3/8-16	4
7	1-633068	Arm, Deck Lift	2
8	1-633553	Pad, Anti-Skid	1
9	106-6572	Pad, Antiskid	2
10	323-9	Screw, 3/8-16 x 1 3/4	1
11	1-653230-01	Plate, Deck Lift	1
12	323-13	Screw, 3/8-16 x 2 3/4	1
13	1-633082	Bushing, Lift Lever	1
14	1-652235-01	Plate Wldmt, Deck Lift	1
15	3290-357	Nut, Whizlock 3/8-16	15
16◆	1-633097	Hitch Pin W/Lanyard	1
17	323-6	Screw, 3/8-16 x 1	1
18	1-413088	Bushing, Lift Lever	1
19*	103-3831	Asm, Front Frame (44")	1
	* 103-3832	Asm, Front Frame (48")	1
	* 103-3833	Asm, Front Frame (52")	1
20	32151-103	E-Ring (44")	7
	32151-103	E-Ring (48"&52")	6
21	3256-29	Washer, 7/8 SAE Flat (44")	6
	3256-29	Washer, 7/8 SAE Flat(48"&52")	7
22	1-652013-01	Shaft Wld, Deck Lift LH	1
23	1-652014-01	Shaft Wld, Deck Lift RH (44")	1
	◇ 103-1674-01	Shaft Wld, Deck Lift RH(48"&52")	1
24	302-19	Zerk, 1/4-28 Straight	5
25	3217-11	Nut, 5/8-11 Regular	8
26	1-633441	Swivel, Deck Mount	4
27	3218-6	Jam Nut, 5/8-11	4
28	1-805517	Washer, 5/8 Std Flat	2
29	1-653011	Rod, Deck Lift	2
30	1-653009	Spring, Deck Support	2
31	103-3155	Axle, Caster	2
32★	103-3051	Spacer, Nut	4
33	103-0063	Seal, Bearing	4

Item	Part No.	Description	Qty.
34	1-633585	Bearing Cone	4
35	3274-18	Screw, Socket Head 5/16-18 x 1 1/4	2
36	103-2768	Guard, Seal	4
37	325-36	Screw, 1/2-13 x 7 1/2	2
38	1-632511-01	Caster Wldmt	2
39	3296-45	Nut, Nyloc 1/2-13 (Light Thin)	2
40	1-543511	Seal, Grease	2
41	3218-2	Nut, Jam 5/16	2
42	103-3785	Asm, Caster Wheel	2
43	1-633508	Washer, Spring Disk	6
44	3296-51	Nut, Nyloc 3/4-10	2
45	103-4882	Cap, Grease	2
46	103-5624	Asm, Floorpan Liftout (103-5315-01) W/Pad & Decals	1
47	103-1918	Bushing	2
48	3230-1	Bolt, Carriage 5/16-18 x 3/4	2
49	32128-20	Nut, Whizlock 5/16-18	8
50	323-29	Screw, Cap 3/8-16 x 1.38	2
51	322-3	Screw, 5/16-18 x 3/4	6
52	3256-3	Washer, 5/16 SAE Flat	4
53	98-5975	Washer, 3/8 Disc Spring	12
54	3256-27	Washer, 5/8 SAE Flat	2
55	103-5623	Asm, Flrpan Front (103-5314-01) W/Decal	1
56	323-7	Screw, 3/8-16 x 1 1/4	12
57	103-1982	Bushing, Spring	4
58	99-3870-01	Bracket, Floorpan	2
59	1-811010	Plug	2
60	1-806005	Hairpin, Cotter	1
61	323-8	Screw, 3/8-16 x 1 1/2	1
62	103-1987	Asm, Deck Lift Spring	2
63◇	103-1673-01	Wld, Foot Lift Assist Lever	1
64	322-10	Screw, 5/16-18 x 2	1
65	1-803013	Nut, Torque 5/16-18	1
66	3296-39	Nut, Nyloc 3/8-16 (44")	1
67	1-543509	Bearing Cone, Tapered Roller	4
68	1-543508	Bearing Cup, Tapered Roller	4

Exmark red touch up spray paint - P/N 1-850337.

- ★ Use Pro-Lock, Nut Type (P/N 1-840022, .5 ml tube) on spacer nut.
- * Includes frame weldment plus items #22,#23,#63 (item #63 not included with 103-3831), #40, #45, #59 and #68.
- ◇ Standard on 48" and 52" units. Optional on 44" units (Deck lift assist kit P/N 103-1675).
- ◆ Includes hitch pin plus hairpin, item #60.

FRONT FRAME GROUP



MAINFRAME GROUP

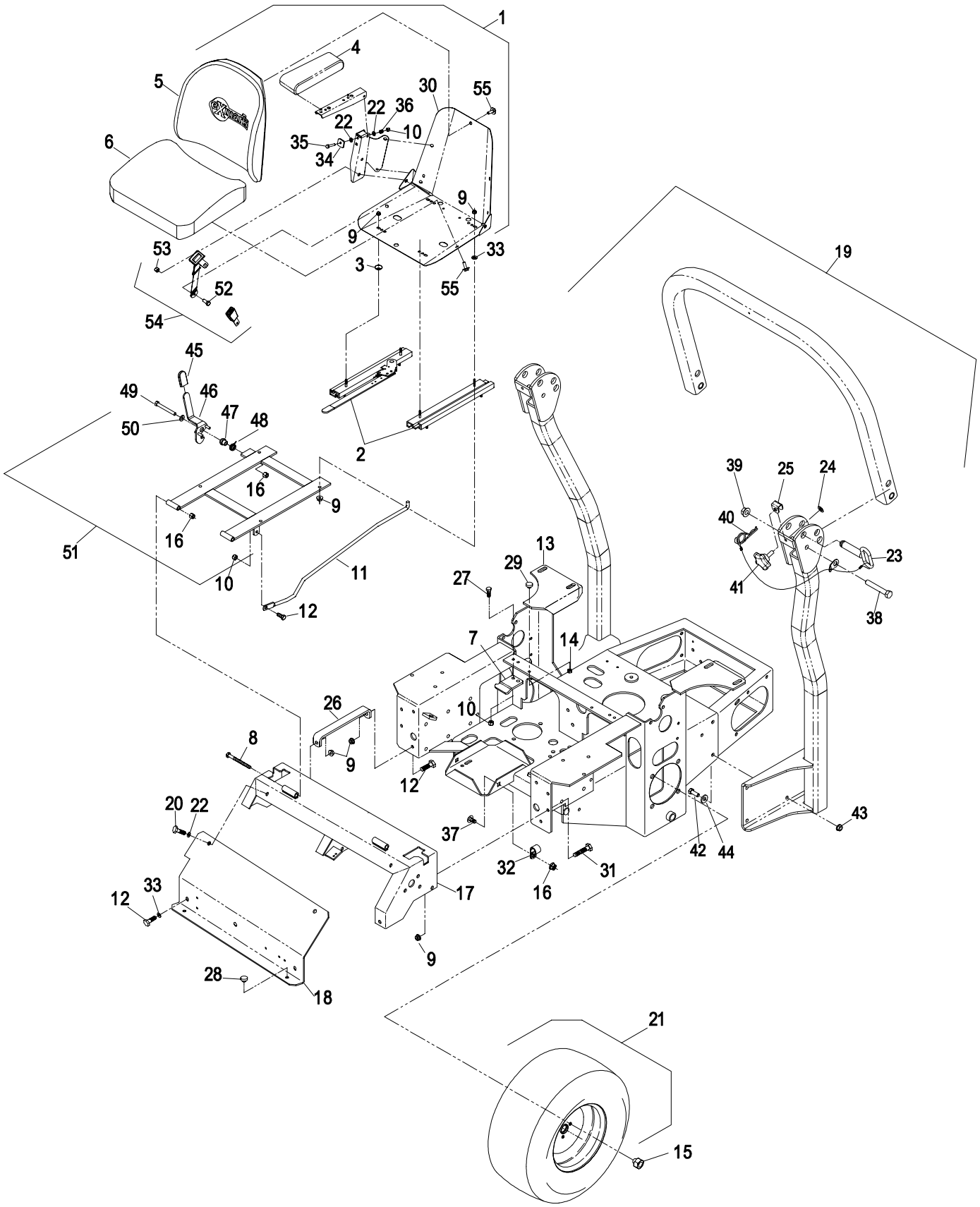
Item	Part No.	Description	Qty.
1●	103-3524	Seat, Complete W/Armrests	1
2	1-643255	Track, Seat (4" Adjust.).....	1
	103-8386	Spring, Seat Rail.....	1
3	1-543401	Spacer, Seat Track	2
4	103-0292	Cushion, Armrest (RH).....	1
◆	103-0291	Cushion, Armrest (LH)	1
5	103-3520	Cushion, Backrest.....	1
6	103-3521	Cushion, Seat	1
7	103-5961	Catch, Seat Latch	1
8	323-39	Screw, 3/8-16 x 5	2
9	32128-20	Nut, Whizlock 5/16-18.....	16
10	3296-29	Nut, Nyloc 5/16-18	5
11	103-1731	Rod, Seat Hold Up.....	1
12	322-5	Screw, 5/16-18 x 1	3
13	103-7631	Asm, Mainframe(103-7626-03) W/Decals	1
14	32128-33	Nut, Nyloc 1/4-20	2
15	242-50	Nut, Wheel 1/2-20.....	8
16	3296-39	Nut, Nyloc 3/8-16	3
17	103-3452	Asm, Console(103-2197-03) W/Decals	1
18	103-4895	Panel, Instrument (103-4889-03) W/Decals	1
19☆	FRPSL	Kit, Rops LHP	1
20	322-3	Screw, 5/16 -18 x 3/4	3
21	103-2769	Wheel/Tire Assy (44"Deck)	2
	103-2770	Wheel/Tire Assy(48"&52"Deck).....	2
	1-653158	Wheel (44" Deck).....	2
	1-653161	Wheel (48" & 52" Deck)	2
	103-2771	Tire, 24 x 9.5-12 4 Ply	2
22	3256-23	Washer, Flat 5/16 SAE	6
23✦	103-4553	Asm, Rops Fold Pin	2

Item	Part No.	Description	Qty.
24	107-3154	Nut, Push 3/8-16.....	2
25	107-3124	Clip	2
26	1-653089-03	Bracket, Instrument Panel	1
27	322-4	Screw, HH 5/16-18 x 7/8.....	2
28	1-513658	Bumper.....	2
29	1-523420	Bumper, Rubber	2
30	1-633859	Seat Frame.....	1
31	322-2	Screw, 5/16-18 x 5/8	6
32	1-633396	Clip, Loom	1
33	3256-3	Washer, Flat Std 5/16.....	4
34	103-0284	Tab	2
35	322-7	Screw, HHC 5/16-18x1 1/2	2
36	1-633349	Spring.....	2
37	3231-22	Bolt, Carriage 3/8-16x1	2
38	325-13	Screw, HH 1/2-13 x 3 1/4.....	2
39	32128-23	Nut, Hex Flange Side Lock 1/2-13	2
40	107-3155	Cotter, Hair Pin Double Loop	2
41	106-0887	Knob.....	2
42	323-6	Screw, HH 3/8-16 x 1	8
43	3290-357	Nut, Whizlock 3/8-16	8
44	98-5795	Washer, Spring Disk 3/8.....	8
45	103-4434	Grip	1
46	107-3083	Latch, Seat	1
47	107-0075	Bushing	1
48	107-0076	Spring.....	1
49	323-20	Screw, 3/8-16 x 3 1/4	1
50	3256-24	Washer, 3/8 SAE Flat.....	1
51	103-4423	Asm, Seat Frame	1
52	3212-4	Screw, HH 7/16-10 x 1	2
53	3296-7	Nut, Nyloc 7/16-20.....	2
54	103-4469	Asm, Seat Belt.....	1
55	103-8383	Bolt, Seat Cushion.....	5

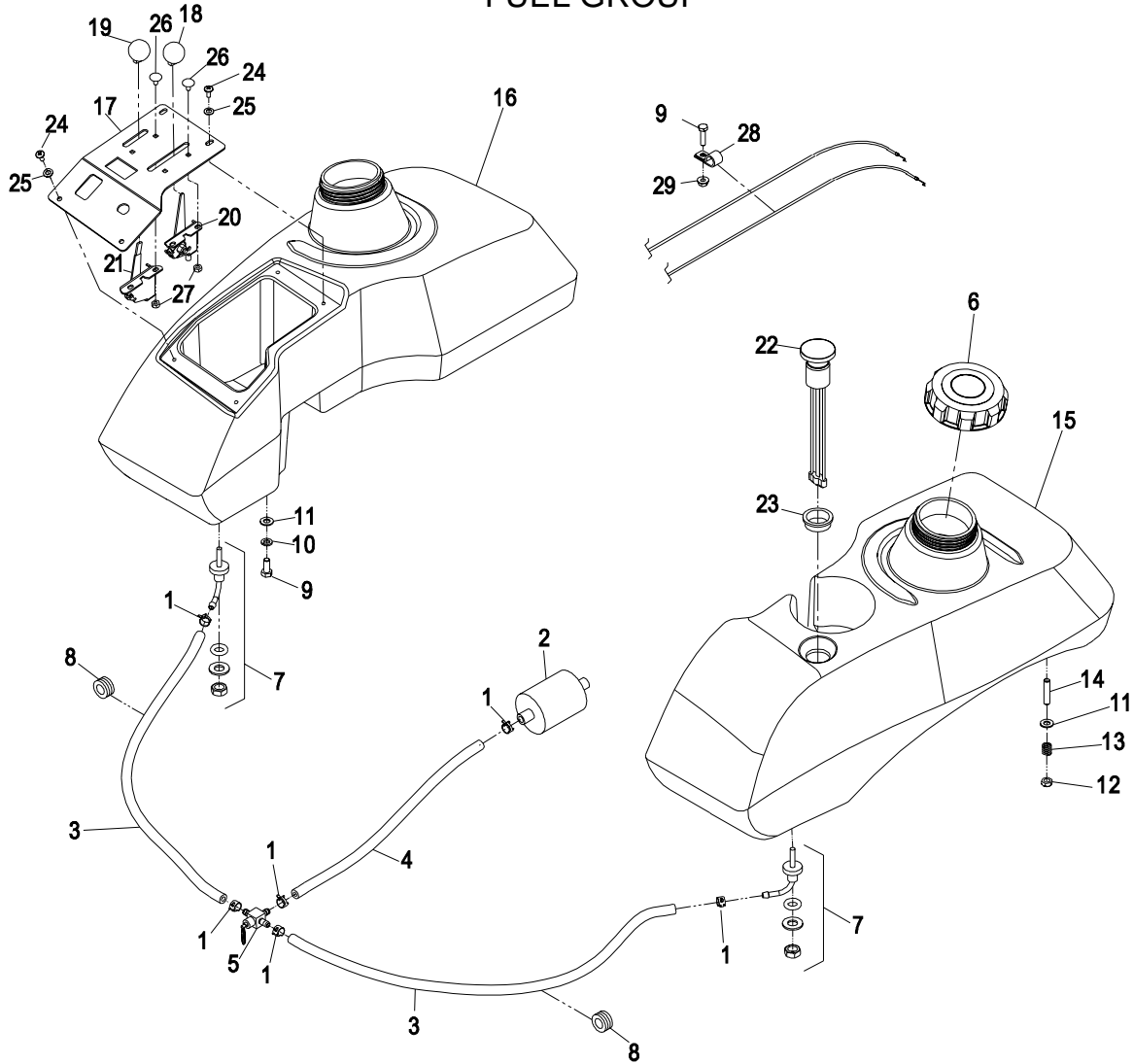
Exmark black touch up spray paint – gloss black.

- ◆ Not Illustrated.
- ✦ Includes ROPS fold pin plus hairpin item #40.
- ☆ Rollover protection frame is serviced as a complete assembly only. Includes complete ROPS frame, mounting hardware, fold pivot and locking hardware, seat frame assembly item #51, catch item #7, and seat belt assembly item #54.
- Includes armrests, armrest adjuster hardware and seat back decal. Does not include seat belt or tracks.

MAINFRAME GROUP



FUEL GROUP

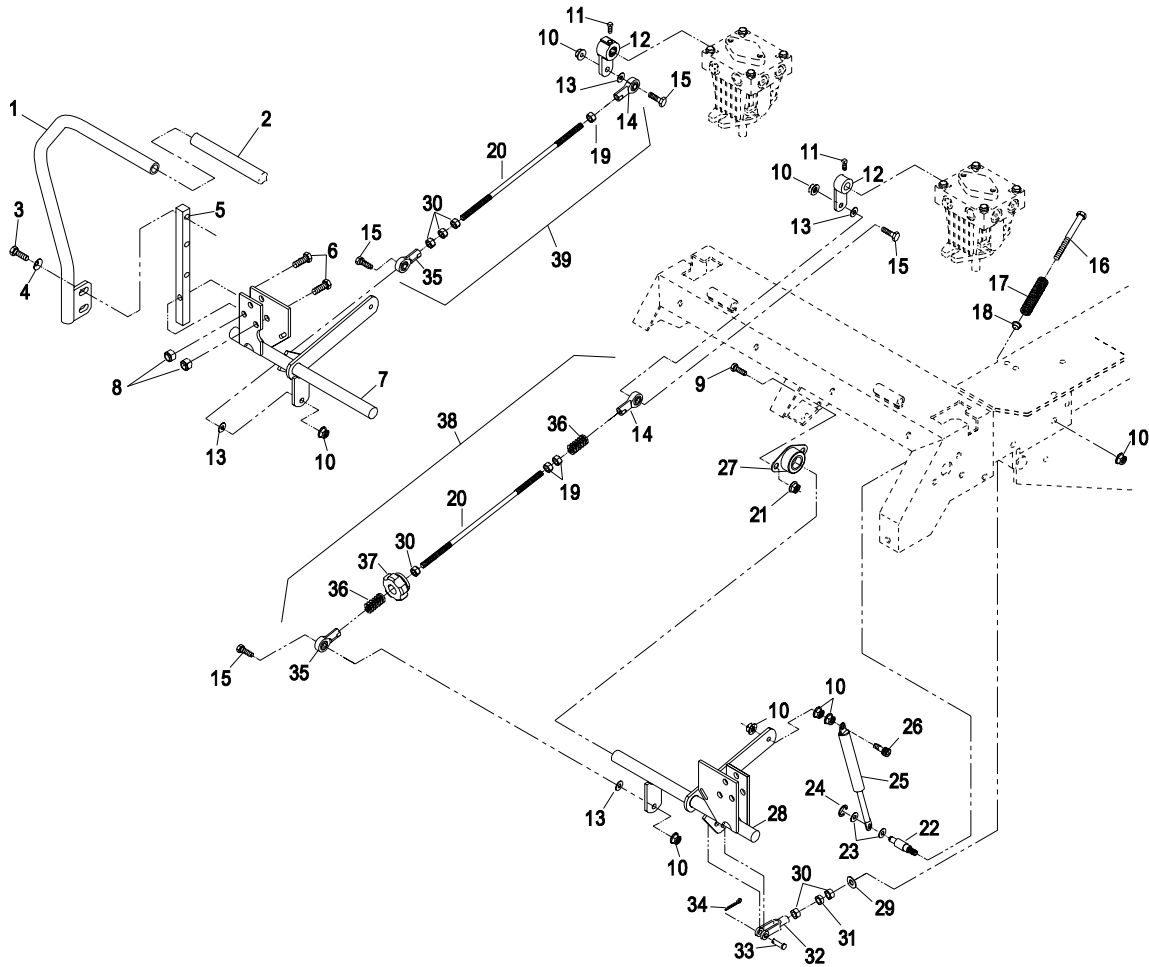


Item	Part No.	Description	Qty.
1	1-303077	Clamp, Fuel Line.....	6
2♦	Kohler	Part No. 2405002 Fuel Filter	1
	Kawasaki	Part No. 49019-7001 Fuel Filter	1
3	1-543526	Fuel Line	2
4	103-0216	Fuel Line	1
5	1-633347	Valve, Fuel.....	1
6	103-3536	Cap, Fuel Tank	2
7▼	103-2605	Fitting,Fuel Bulkhead W/Strainer	2
	103-2784	O-Ring	2
8	1-543296	Grommet, Fuel Line	2
9	322-3	Screw, 5/16-18 x 3/4	5
10	1-805005	Washer, Lock 5/16.....	4
11	3256-23	Washer, 5/16 SAE	8
12	3296-47	Nut, Nyloc 5/16-18	4
13	1-633349	Spring, Fuel Tank.....	4
14◇	1-633023	Stud, Fuel Tank	4

Item	Part No.	Description	Qty.
15★	103-4898	Asm, Tank Fuel (LH)	1
16★	103-4897	Asm, Tank Fuel (RH).....	1
17	103-4896	Asm, Control Panel W/Decals	1
18	1-513592	Knob, Red (Throttle)	1
19	1-513593	Knob, Black (Choke).....	1
20	103-4091	Cable, Throttle/Choke.....	1
21	1-633696	Cable, Choke (Kohler)	1
	103-4091	Cable, Throttle/Choke (Kawasaki)	1
22	103-4964	Gage, Fuel.....	1
23	95-8972	Grommet	1
24■	32122-30	Screw, PTH #10-24 x 1/2.....	4
25	1-303435	Washer, Spring Disk 1/4.....	4
26	1-807513	Bolt, Carriage #10-24 x 1/2.....	4
27	3296-2	Nut, Nyloc #10-24.....	4
28	1-633396	Clip,Loom 5/8	1
29	32128-20	Nut,Whizlock 5/16-18	1

- ◇ Use Pro-Lock, Retaining Type (P/N 1-840023, .5ml tube) on stud threads going into tank.
- ♦ Refer to Engine Owner's manual. (Fuel filter **Must** be 15 Micron or smaller).
- ★ Includes tank, cap, fitting, and studs. LH tank also includes fuel gauge.
- ▼ Use Pro-Lock, Nut Type (P/N 1-840022, .5ml tube) on fuel fitting.
- Snug fit only on slotted holes, **Do Not Overtighten**, tank must be able to expand.

MOTION CONTROL GROUP



Item	Part No.	Description	Qty.
1	103-3458	Handle 103-3327-03 W/Grip (RH)	1
*	103-3457	Handle 103-3326-03 W/Grip (LH).....	1
2	1-633257	Grip, Motion Cntrl Handle.....	2
3	323-6	Screw, 3/8-16 x 1	4
4	98-5975	Washer, Disc Spring 3/8	4
5	103-0407	Arm, Control Shaft	2
6	323-9	Screw, 3/8-16 x 1 3/4	6
7	103-4773	Bracket, Motion Cntrl (RH)	1
8	3296-39	Nut, Nyloc 3/8-16	6
9	323-4	Screw, 3/8-16 x 3/4	8
10	32128-20	Nut, Whizlock 5/16-18.....	12
11◆	1-803022	Setscrew, 5/16 x 5/8	2
12	103-3717	Arm, Pump Control	2
13	3256-3	Washer, 5/16 Std.....	4
14	1-633152	Ball Joint (LH)	2
15	322-6	Screw, 5/16-18 x 1 1/4	4
16	1-603737	Bolt, (Neutral Return)	2
17	1-603807	Spring, (Neutral Return).....	2
18	1-603735	Bushing,Nylon(Revrs Ind.)	2
19	1-804524	Nut, 5/16-24 (LH)	3

Item	Part No.	Description	Qty.
20	103-3066	Link, Pump Control	2
21	3290-357	Nut, Whizlock 3/8-16	8
22	103-4101	Pin, Damper Anchor	2
23	3256-23	Washer, 5/16 SAE	4
24	32120-35	E-Ring	2
25	103-4079	Damper.....	2
26	1-403180	Screw, 5/16-18x1 1/4 Special	4
27	1-633102	Bearing, Flanged	4
28	103-4774	Bracket, Motion Control(LH)	1
29	3256-2	Washer, 1/4	2
30	3219-2	Nut, 5/16-24	8
31	3220-2	Nut, Jam 5/16-24	2
32	1-303105	Yoke	2
33	1-808280	Pin, Clevis 5/16 x 1	2
34	3272-5	Pin, Cotter 3/32 x 1/2	2
35	1-543017	Ball Joint (RH)	2
36	1-323245	Spring, Compression	2
37	103-3060	Knob, Tracking	1
38	103-4326	Asm, Tracking	1
39	103-4327	Asm, Tracking	1

Exmark black touch up spray paint – gloss black.

* Not Illustrated.

◆ Use Pro-Lock, Nut Type (P/N 1-840022, .5ml tube) on setscrews.

PARK BRAKE GROUP

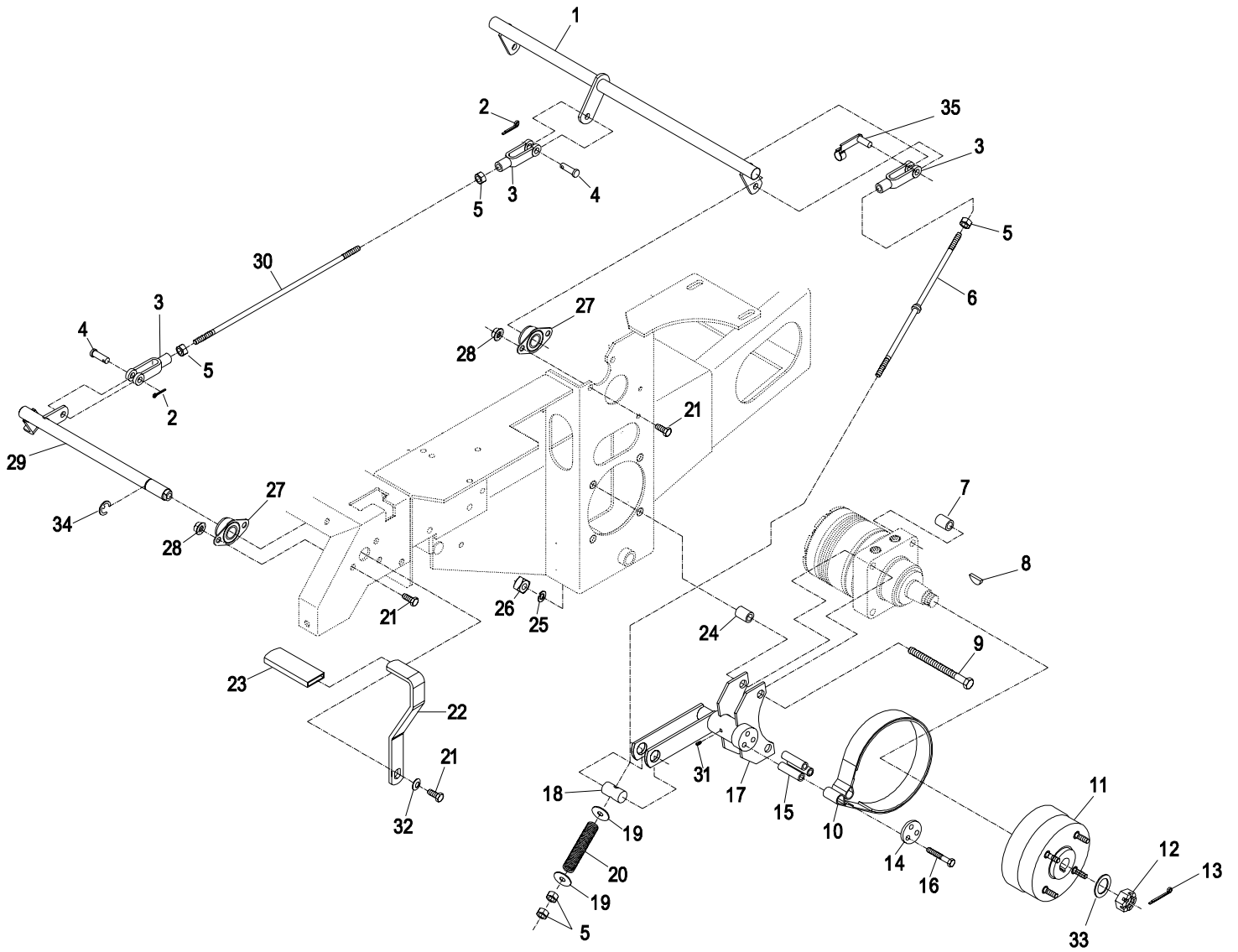
Item	Part No.	Description	Qty.
1	1-652073-03	Crank Wldmt, Brake.....	1
2	3272-10	Pin, Cotter 1/8 x 3/4	2
3	1-633131	Yoke	4
4	1-808285	Pin, Clevis 3/8 x 1 1/8	2
5	3219-3	Nut, 3/8-24	8
6	103-0356	Rod, Brake.....	2
7	1-653068	Spacer (Long) 44"/48" Deck	4
*	1-653380	Spacer (Long) 52" Deck	4
8	3257-42	Woodruff Key, 5/16 x 1	1
9	325-13	Screw, 1/2-13x3.25 G5(44"&48").....	8
	1-800348	Screw, 1/2-13x4.25 G5 (52")	8
10	103-0355	Band, Brake.....	2
11	103-0590	Hub & Drum W/Studs, Plated	2
	1-633926	Stud, Wheel.....	8
12	1-809036	Nut, Slotted 1.00-20.....	2
13	1-806800	Pin, Cotter 9/64 x 1 1/2	2
14	103-0374	Retainer, Brake Band.....	2
15	103-0384	Spacer	6
16	322-9	Screw, 5/16-18 x 1.75	6
17	103-0352-03	Bracket, Brake 44"/48"	2

Item	Part No.	Description	Qty.
*	103-0353-03	Bracket, Brake 52"	2
18	1-633144	Pin, Trunion	2
19	3256-4	Washer, 3/8 Std.....	4
20	1-633454	Spring, Brake Rod	2
21	323-4	Screw, 3/8-16 x 3/4.....	9
22	103-4630	Asm, Lever (1-653074-03) W/Grip	1
23	1-633268	Grip, Brake Lever.....	1
24	1-653069	Spacer(Short) 44"/48" Deck	4
*	1-653381	Spacer(Short) 52" Deck	4
25	3253-7	Washer, Lock 1/2	8
26	103-0131	Nut, Sq.Reg. 1/2-13UNC-2B.....	8
27	1-633102	Bearing, Flange	4
28	3290-357	Nut, Whizlock 3/8-16	8
29	103-3116	Shaft Wldmt, Brake	1
30	1-653061	Linkage, Brake Handle	1
31	1481	Zerk, Grease.....	2
32	98-5975	Washer, Disc Spring 3/8.....	1
33	1-523157	Washer, Spacer.....	2
34	32151-48	Ring, Retaining	1
35	103-2399	Pin, Spring Clevis	2

Exmark black touch up spray paint – gloss black.

* Not Illustrated.

PARK BRAKE GROUP



HYDRAULIC GROUP

Item	Part No.	Description	Qty.
1	103-1947	Asm, Reservoir W/ Decal.....	1
2	103-1948	Cap, Hydraulic Reservoir	1
3	103-1949	Gasket, Reservoir Cap.....	1
4	321-6	Screw, 1/4-20 x 1.0	2
5	3256-22	Washer, Flat SAE 1/4	2
6	103-3071-03	Wld, Reservoir Stand.....	1
7	103-1801	Adapter, Straight	1
	1-603921	Boss O-Ring	1
8	103-1912	Adapter, Straight	1
	1-603921	Boss O-Ring	1
9	103-1716	Clamp, Hose (17/32)	3
10	103-1988	Clamp, Hose (11/16)	3
11	103-3077	Asm, Supply Hose	1
12	103-2889	Asm, Filter Head.....	1
	103-1912	Adapter, Straight.....	2
	1-603921	O-Ring	1
13	321-3	Screw, 1/4-20 x 5/8	2
14	322-5	Screw, 5/16-18 x 1	1
15	1-805004	Lockwasher.....	2
16	1-513211	Element, Oil Filter	1
▼	1-523541	Element, Oil Filter (Winter)	1
17	103-2930	Asm, Charge Hose	1
18	103-2357	Asm, Case Drain Hose	1
19	1-653187	Hose, RH Rear 44" & 48"	1
	1-653437	Hose, RH Rear 52"	1
20	1-653186	Hose, RH Front 44" & 48"	1
	1-653436	Hose, RH Front 52".....	1
21	1-633605	Elbow, 90° (RH Wheel Motor)	2
	1-603919	Boss O-Ring	1
	1-603992	Flare O-Ring	1
22	103-6988	Motor, Wheel	2
	103-6996	Kit, Output Shaft & Seals	1
	103-6994	Kit, Seal	1
23	103-1799	Elbow, 90°	2
	1-603921	Boss O-Ring	1
24	1-807272	Key 5 x 5 x 25mm	2
25	103-1802	Elbow, 90°	2
	1-603921	Boss O-Ring	1
26	3256-24	Washer, 3/8 SAE Flat	1

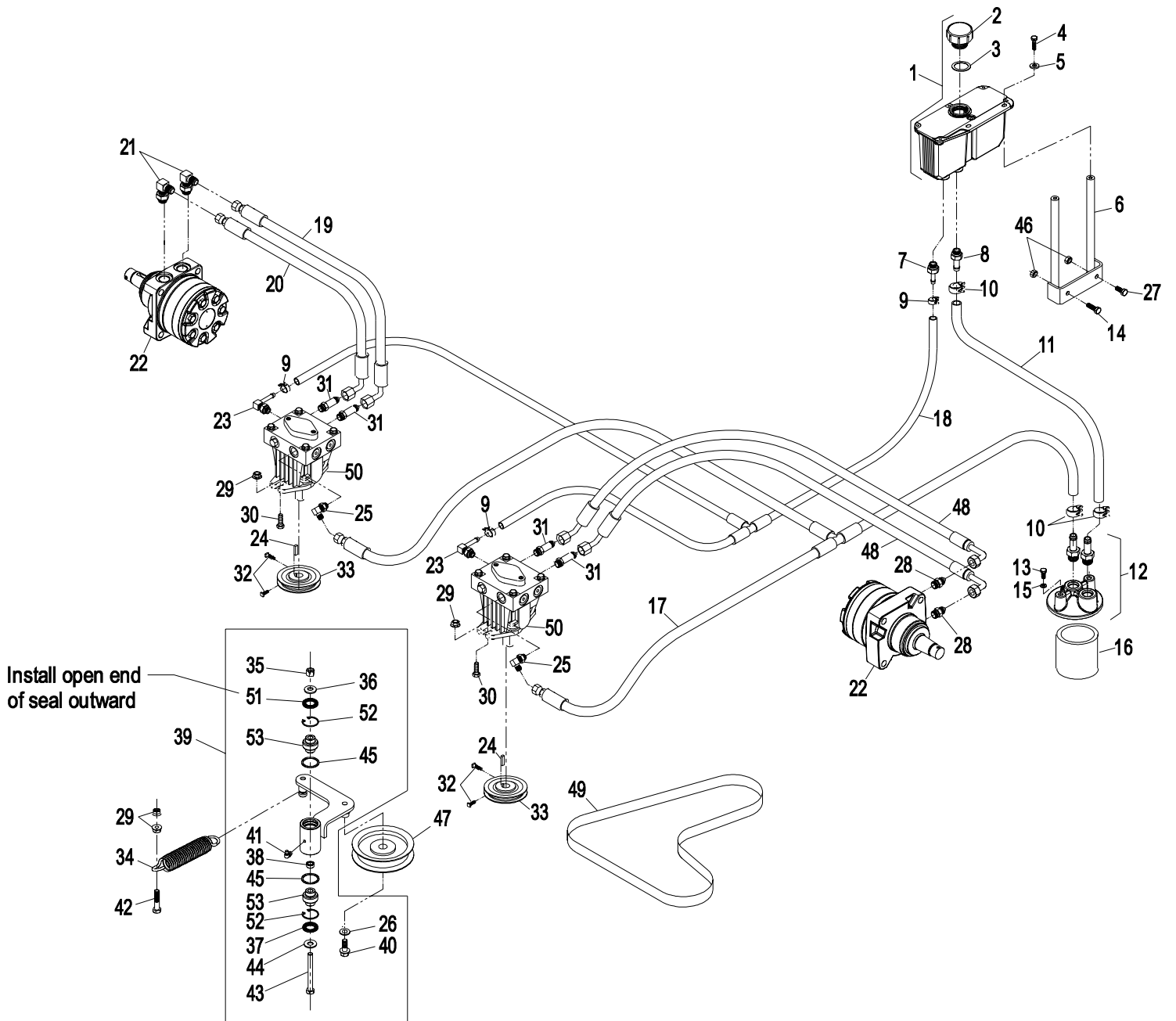
Item	Part No.	Description	Qty.
27	322-3	Screw, 5/16-18 x 3/4	1
28	1-603991	Adapter, Straight (LH Wheel Motor).....	2
	1-603919	Boss O-Ring	1
	1-603992	Flare O-Ring	1
29	3290-357	Nut, Whizlock 3/8-16	6
30	323-7	Screw, 3/8-16 x 1 1/4	4
31	103-1940	Adapter, Straight Long	4
	1-603920	Boss O-Ring	1
	1-603992	Flare O-Ring	1
32◇	1-803050	Setscrew, .312-18 x .75	4
33	1-653156	Sheave, Pump Drive	2
34	103-4480	Spring, Extension	1
35	3296-39	Nut, Nyloc 3/8-16	1
36	98-5975	Washer, Disc Spring	1
37	103-3505	Seal, Double, Lip	1
38	103-5677	Spacer	1
39	103-5699	Arm, Idler W/ Bearings	1
40	3234-11	Screw, 3/8-16 x 1 Whizlock.....	1
41	302-40	Zerk, 90° 1/4-28.....	1
42	323-9	Screw, 3/8-16 x 1 3/4.....	1
43	98-5961	Screw, 3/8-16 x 4 Gr 8.....	1
44	3256-4	Washer, 3/8 Std Flat	1
45	106-7159	O-ring	2
46	32128-20	Nut, 5/16-18 Whizlock	2
47	1-603843	Pulley, Idler	1
48	103-3809	Hose, LH 44" & 48"	2
	103-3810	Hose, LH 52"	2
49	103-4760	Belt, Pump Drive 44" & 48"	1
	103-4761	Belt, Pump Drive 52"	1
50	103-1942	Pump, Hydro	2
	103-2664	Kit, Input Shaft 10A	1
	94-6922	Kit, Thrust Bearing 10A	1
	103-2666	Kit, Cylinder Block 10A	1
	105-6184	Kit, Overhaul Seal	1
	103-2741	Kit, Shock Valve 10a/10l	1
51	103-3506	Seal, Single Lip.....	1
52	32120-10	Ring, Retaining	2
53	103-3504	Bearing, Spherical	2

Exmark red touch up spray paint - P/N 1-850337.

▼ Use only for operation below 32°F (0°C).

◇ Use Pro-Lock, Nut Type (P/N 1-840022).

HYDRAULIC GROUP



ENGINE GROUP

Item	Part No.	Description	Qty.
1	103-3078-03	Strap, Engine Guard	2
2	32128-20	Nut, Whizlock 5/16-18	22
3	322-3	Screw, 5/16-18x3/4 (44" & 48")	20
	322-3	Screw, 5/16-18x3/4 (52")	12
4	33114-020	Screw, HH M8-1.25 x 20	1
5	1-653313	Gasket, (23 HP KAW)	2
	1-653290	Gasket, (19 HP KAW)	2
6	103-3426	Muffler, Kit (KOH)	1
7	1-805005	Washer, Lock 5/16 Heavy	1
8	3256-3	Washer, 5/16 Std Flat	3
9	3296-29	Nut, Nyloc 5/16-18 (KAW)	4
	32128-20	Nut, Whizlock 5/16-18 (KOH)	4
10	322-9	Screw, 5/16-18 x 1 3/4	4
11	103-3218-03	Wld, Tailpipe Guard	1
12	103-3096	Spacer (23 HP KAW Only)	1
13	103-2614	Bushing, Seat Mount	1
14	1-613235	Washer	4
15	1-633545	Spacer, Grommet	2
16	1-633630	Grommet	2
17	1-633543-03	Strap, Clutch/Brake	1
18	322-22	Screw, 5/16-18 x 3 1/2	1
19	322-6	Screw, 5/16 NC x 1 1/4	1
20	1-807259	Key	1
21	103-2308	Spacer, Crankshaft	1
22	1-653035	Sheave, Pump Drive (44" & 48")	1
	103-3913	Sheave, Pump Drive (52")	1
23	103-0690	Clutch	1
	103-3012	Kit, Brake Pole Module	1
24	1-603610	Washer, Disc Spring 7/16	2
25◆	3212-12	Screw, 7/16-20 x 3 (KAW)	1
◆	3212-10	Screw, 7/16-20 x 2 1/2 (KOH)	1
26	1-303335	Plastic Tie (Large)	3
27	1-303334	Washer, Spring Disc	4

Item	Part No.	Description	Qty.
28	3256-23	Washer, 5/16 SAE Flat(44" & 48")	4
	3256-23	Washer, 5/16 SAE Flat (52")	12
29	103-2740-03	Shield, Heat	1
30	33113-016	Screw, HH M6-1 x 16mm	2
31	33113-025	Screw, HH M6-1 x 25mm	1
32	103-3107-03	Counterweight, 60# (52")	1
33	322-7	Screw, Cap HH 5/16-18x1 1/2 (52")	8
34◇	103-1963	Valve, Oil Drain (KOH)	1
35◇	103-1965	Valve, Oil Drain (KAW)	1
36	103-1966	Adapter, M20-2.5 / 3/8 Npt (KAW)	1
37	103-2993-03	Bracket, Muffler LH (23 HP KAW)	1
	103-4477-03	Bracket, Muffler LH (19 HP KAW)	1
38	103-2994-03	Bracket, Muffler RH (23 HP KAW)	1
	103-4478-03	Bracket, Muffler RH (19 HP KAW)	1
39	1-653291	Gasket, (20-23 HP KOH)	2
40	103-3094-03	Deflector, Air LH (KOH)	1
41	103-3095-03	Deflector, Air RH (KOH)	1
42	103-2987-03	Bracket, Muffler LH (KOH)	1
43	103-2988-03	Bracket, Muffler RH (KOH)	1
44	33013-00	Nut, Hex M6-1	2
45	33113-020	Screw, HH M6-1 x 20mm	2
46*	1-805004	Washer, Lock 1/4 Hvy	4
▲	1-805004	Washer, Lock 1/4 Hvy	3
47	103-3219-03	Guard, Rear LHP	1
48	103-3427	Muffler, Kit 23HP (KAW)	1
	103-4483	Muffler, Kit 20HP (KAW)	1
49	103-3287-03	Guard, Muffler LH (52")	1
50	103-3288-03	Guard, Muffler RH (52")	1
51*	3229-10	Screw, Carr 1/4-20x1/2	6
▲	3229-10	Screw, Carr 1/4-20x1/2	4
52*	32128-33	Nut, Flange 1/4-20	6
▲	32128-33	Nut, Flange 1/4-20	4

Exmark black touch up spray paint – gloss black.

- ◇ Use a Teflon Pipe Sealant or equivalent on threads of drain valve.
- ◆ Use Pro-Lock, Nut Type (P/N 1-840022, .5ml tube) on clutch bolt.
- * Kohler units only.
- ▲ Kawasaki units only.

Kohler Replacement Parts List

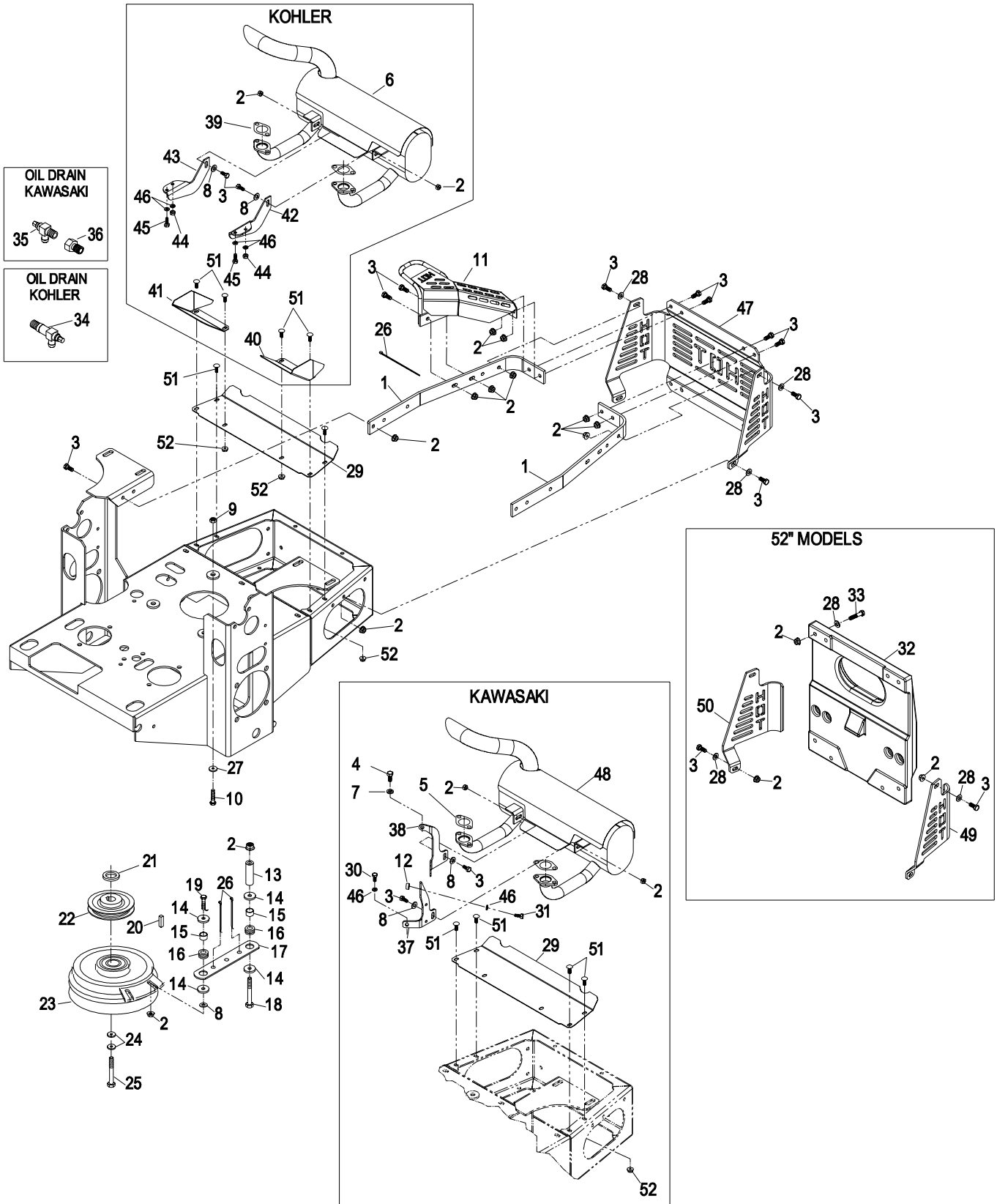
(Refer to Engine Owner's Manual)

<u>Description</u>	<u>Kohler P/N</u>
Air Filter Element – Outer	2508301-S
Air Filter Element – Inner	2508304-S

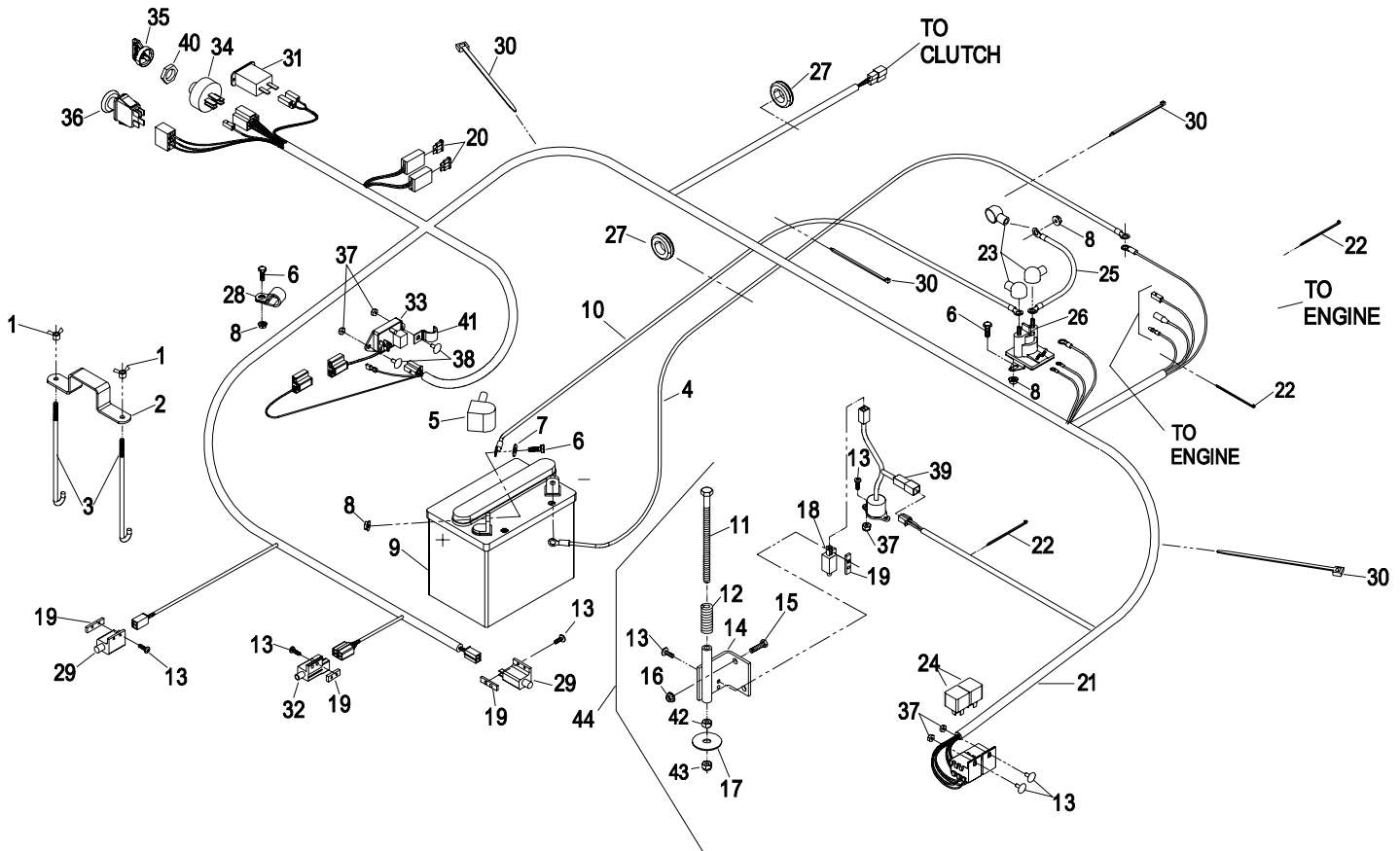
Kawasaki Replacement Parts List

<u>Description</u>	<u>Kawasaki P/N</u>
23 HP Air Filter Element Kit (Inner & Outer)	11010-7004
19 HP Air Filter Element	11013-7028

ENGINE GROUP



KAWASAKI ELECTRICAL GROUP

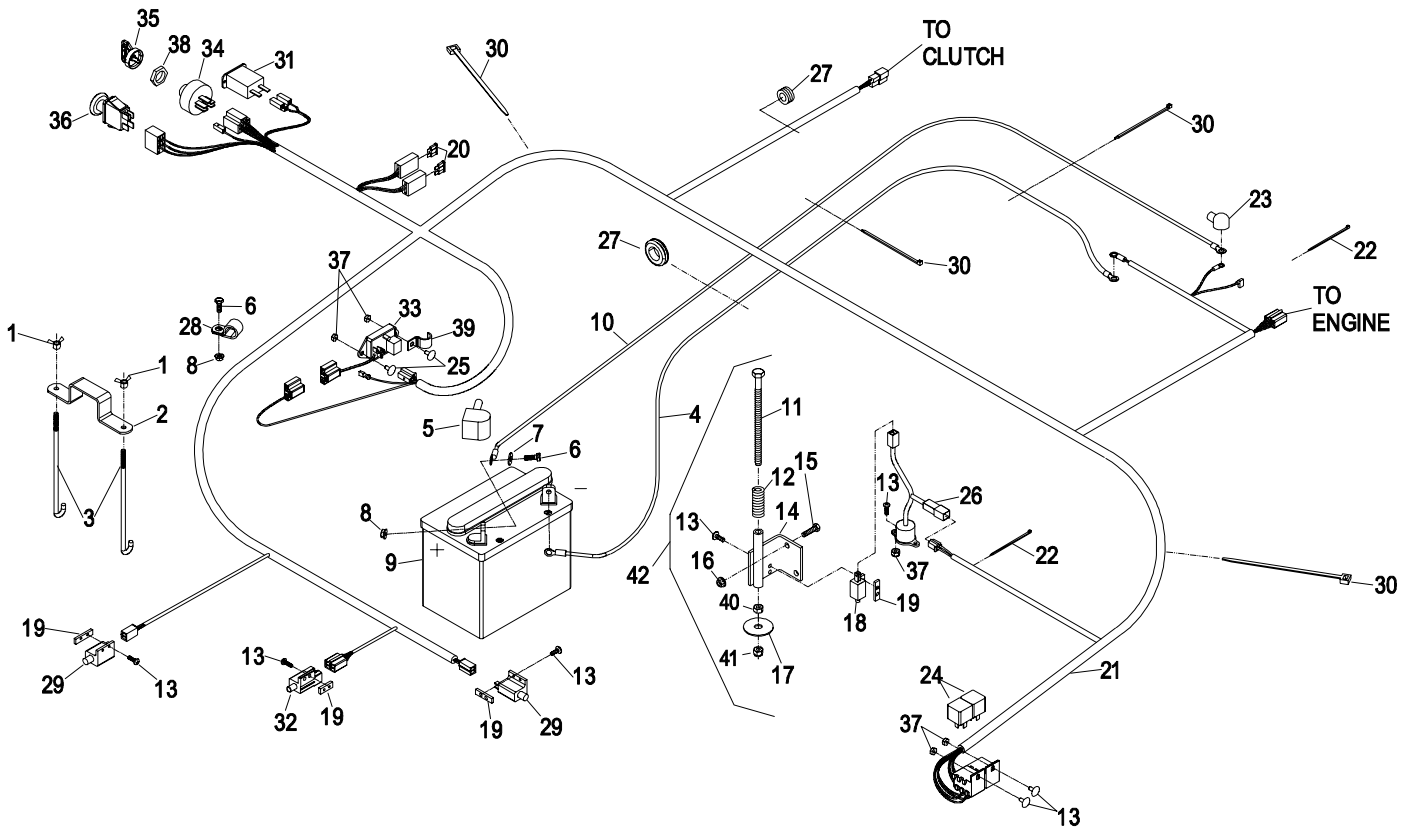


Item	Part No.	Description	Qty.
1	1-543792	Wingnut, Nyloc 1/4-20.....	2
2	1-633652-03	Strap, Battery Holddown	1
3	1-633651	Bolt, Battery Holddown.....	2
4	103-0705	Cable, Ground (-).....	1
5	1-543391	Insulator, Battery.....	1
6	321-4	Screw, 1/4-20 x 3/4	5
7	3256-2	Washer, 1/4 Flat	2
8	32128-33	Nut, 1/4-20 Whizlock	6
9	103-0293	Battery, 12V	1
10	103-0707	Cable, Battery (+).....	1
11	1-800282	Screw, 5/16-18 x 7	1
12	1-523415	Spring, Seat Switch.....	1
13	3290-500	Screw, #10-24 x 5/8	12
14	1-652072-03	Bracket W/dmt, Seat Switch.....	1
15	322-3	Screw, 5/16-18 x 3/4	2
16	32128-20	Nut, Whizlock 5/16-18.....	4
17	1-653036	Washer	1
18	1-513152	Switch, Seat.....	1
19	1-633181	Plate	4
20	1-816001	Fuse-20 Amp	2
21◆	103-4894	Harness, Wiring	1
22	1-303287	Plastic Tie, Small	2
23	1-543393	Insulator, Solenoid (+).....	3

Item	Part No.	Description	Qty.
24	1-643275	Relay, 12 V	2
25	1-633306	Cable, Starter (+)	1
26	1-513075	Switch, 12V Solenoid.....	1
27	1-543286	Grommet	2
28	1-633396	Clip, Loom 5/8	1
29	1-513051	Switch, Drive Lever N.O.....	2
30	1-303335	Plastic Tie, Large	4
31	1-513374	Meter, Engine Hours	1
32	1-633111	Switch, Brake N.O./N.C.	1
33	103-5218	Module, Seat Delay	1
34	103-0206	Switch, Ignition W/Keys	1
35	103-2106	Key, Exmark Logo	1
	1-603511	Key, Ignition.....	1
36	103-5221	Switch, Blade.....	1
37	3296-2	Nut, Nyloc #10-20	6
38	1-803075	Screw-head, Truss [#10-24X.75].....	2
39	1-633782	Switch, Tilt	1
40	103-0498	Nut, Ignition	1
41	103-1193	Clip, Loom Half	1
42	3217-6	Nut, Hex 5/16-18.....	1
43	3296-29	Nut, Nyloc 5/16-18.....	1
44	103-5685	Asm, Seat Switch Actuator	1

◆ Use dielectric grease on all wiring harness connectors.

KOHLER ELECTRICAL GROUP



Item	Part No.	Description	Qty.
1	1-543792	Wingnut, Nyloc 1/4-20.....	2
2	1-633652-03	Strap, Battery Holddown	1
3	1-633651	Bolt, Battery Holddown.....	2
4	103-0705	Cable, Ground (-).....	1
5	1-543391	Insulator, Battery.....	1
6	321-4	Screw, 1/4-20 x 3/4	3
7	3256-2	Washer, 1/4 Flat	2
8	32128-33	Nut, 1/4-20 Whizlock	3
9	103-0293	Battery, 12V	1
10	1-523281	Cable, Battery (+).....	1
11	1-800282	Screw, 5/16-18 x 7	1
12	1-523415	Spring, Seat Switch.....	1
13	3290-500	Screw, #10-24 x 5/8	12
14	1-652072-03	Bracket Wldmt, Seat Switch.....	1
15	322-3	Screw, 5/16-18 x 3/4	2
16	32128-20	Nut, Whizlock 5/16-18.....	4
17	1-653036	Washer	1
18	1-513152	Switch, Seat.....	1
19	1-633181	Plate	4
20	1-816001	Fuse-20 Amp	2
21◆	103-4893	Harness, Wiring	1
22	1-303287	Plastic Tie, Small	2

Item	Part No.	Description	Qty.
23	1-543393	Insulator, Solenoid (+).....	1
24	1-643275	Relay, 12 V	2
25	1-803075	Screw-head, Truss [#10-24X.75].....	2
26	1-633782	Switch, Tilt	1
27	1-543286	Grommet	2
28	1-633396	Clip, Loom 5/8	1
29	1-513051	Switch, Drive Lever N.O.....	2
30	1-303335	Plastic Tie, Large	4
31	1-513374	Meter, Engine Hours	1
32	1-633111	Switch, Brake N.O./N.C.	1
33	103-5218	Module, Seat Delay	1
34	103-0206	Switch, Ignition W/Keys	1
35	103-2106	Key, Exmark Logo	1
	1-603511	Key, Ignition.....	1
36	103-5221	Switch, Blade.....	1
37	3296-2	Nut, Nyloc #10-24	6
38	103-0498	Nut, Ignition	1
39	103-1193	Clip, Loom Half	1
40	3217-6	Nut, Hex 5/16-18.....	1
41	3296-29	Nut, Nyloc 5/16-18	1
42	103-5685	Asm, Seat Switch Actuator	1

◆ Use dielectric grease on all wiring harness connectors.

DECAL GROUP

Item	Part No.	Description	Qty.
1	103-4891	Decal, Console LHP.....	1
2	1-513746	Decal, Muffler.....	2
3	1-633922	Decal, Anti-Scalp	1
4	1-643401	Decal, Mercury switch	1
5	1-513742	Decal, No step	2
6	107-2112	Decal, Danger slope	1
7	107-2102	Decal, ROPS folding.....	1
8*	1-323540	Decal, Roller Mounting.....	1
9	103-4892	Decal, Control LHP	1
10	1-303508	Decal, Discharge Warning	1
11	1-513748	Decal, Guard.....	1
12	1-653477	Decal, Belt Routing	1
13	1-403005	Decal, Danger	2
14	1-523552	Decal, Hyd Tank/Hot Surface.....	1
15	1-653147	Decal, Deck Height	1

Item	Part No.	Description	Qty.
16	103-1077	Decal, Bolt Torque	2
17	103-2644	Decal, Exhaust System.....	1
18	103-3142	Decal, LHP Model.....	1
19	103-6340	Decal, Check Service	1
20	103-2882	Decal, Exmark Logo	1
21	1-523417	Decal, Commercial 44	1
22	1-403131	Decal, Commercial 48	1
23	1-403132	Decal, Commercial 52	1
24	103-4903	Decal, Ignition/PTO	1
25	103-4930	Decal, Choke	1
26	103-0262	Decal, Fuel Valve	1
27	98-5954	Decal, Missing Cover.....	2
28	1-303520	Decal, Trivantage.....	1
29	103-1997	Decal, Top Console	1
	103-4581	Decal Kit	

* Decal used on decks with type A anti scalp axles. Reference pages 3-6.

DECAL GROUP

1

RELEASE

PARK BRAKE

ENGAGE

⚠ DANGER

To avoid serious injury or death:

- Avoid blades unless engine and blades are stopped.

⚠ WARNING

To avoid serious injury or death:

- Pick up objects that could be thrown by the blades.
- Do NOT mow when people and pets are in the area.
- Do NOT carry passengers.
- Look behind and to the side before changing directions.
- Before leaving operator's position:
 - Disengage PTO,
 - Move drive levers out to neutral lock position,
 - Engage park brake,
 - Stop engine.

eXmark

⚠ WARNING

To avoid serious injury or death:

- Read and understand the operator's manual before using this machine.
- Do NOT operate unless trained to safely use this machine.
- Do NOT operate under the influence of alcohol or drugs.
- Do NOT operate without shields, guards, and safety devices in place and working.
- Check the function of the operator presence controls (OPC) safety system daily. Do NOT defeat the OPC system.
- Stop engine and remove key before adjusting, servicing, or cleaning machine and attachments.
- Hearing protection is recommended.

CUTTING HEIGHT

103-4891

2

⚠ CAUTION

DO NOT OPERATE WITHOUT GUARD IN PLACE.

3

ANTI-SCALP ROLLER ADJUSTMENT

FOR NORMAL OPERATING CONDITIONS PLACE ROLLERS IN POSITIONS SHOWN FOR 3/4" (19 mm) GROUND CLEARANCE.

FOR MAXIMUM FLOTATION, ROLLERS MAY BE POSITIONED LOWER, BUT MUST MAINTAIN A MINIMUM OF 1/4" (6.4 mm) GROUND CLEARANCE. NEVER POSITION THE ROLLERS TO SUPPORT THE MOWER DECK.

4

MERCURY SWITCH PART NUMBER 1-633762. SEE OPERATOR'S MANUAL FOR DISPOSAL INSTRUCTIONS.

5

NO STEP

6

⚠ WARNING

Operating on wet grass or steep slopes can cause sliding and loss of control.

- Wheels dropping over edges can cause rollovers, which may result in serious injury, death or drowning.
- To avoid loss of control and possibility of rollover:
 - Do NOT operate near drop-offs or near water.
 - Do NOT operate on slopes greater than 15°.
 - Reduce speed and use extreme caution on slopes.
 - Avoid sudden turns or rapid speed changes.
- There is no roll over protection when the roll bar is down.
- Always keep roll bar in the raised and locked position and use seat belt.
- Read and follow rollover protection instructions and warnings.

7

⚠ WARNING

TO AVOID INJURY OR DEATH FROM ROLL-OVER: Keep roll bar in the raised and locked position and use seat belt.

THERE IS NO ROLL-OVER PROTECTION WHEN THE ROLL BAR IS DOWN. Lower the roll bar only when absolutely necessary. Do not wear seat belt when the roll bar is down. Drive slowly and carefully. Raise the roll bar as soon as clearance permits. Read and follow slope operation instructions and warnings.

8

ITEM NAME

- 1 ROLLER
- 2 BUSHING
- 3 SPRING WASHER
- 4 3/8"-12 X 1/2" BOLT
- 5 MOUNT BRACKET
- 6 FLAT WASHER
- 7 WINGLOCK NUT

***MUST BE GRADE 8**

BOLT AND WASHERS MUST BE INSTALLED AS SHOWN IN DIAGRAM. TORQUE NUT TO 35-40 FT-LBS

9

eXmark

10

⚠ WARNING

DO NOT OPERATE WITHOUT DISCHARGE DEFLECTOR, ENTIRE GRASS COLLECTION SYSTEM, OR MULCH KIT IN PLACE. DO NOT REMOVE GRASS CATCHER UNTIL BLADES HAVE STOPPED.

11

⚠ CAUTION

MUFFLER AND SHIELDS MAY EXCEED 180° F.

12

STATIONARY IDLERS

- 1-413893 44"
- 1-413368 48"
- 1-653368 52"

FRONT OF MOWER

13

⚠ DANGER

KEEP HANDS AND FEET AWAY

14

HYDRAULIC OIL - USE ONLY MOBIL 1 SAE 15W-50 SYNTHETIC ENGINE OIL. FILL TO TOP OF BAFLE.

⚠ CAUTION

HOT SURFACE

15

16

⚠ CAUTION

Loose or Damaged Blade Bolt may allow blade to come out from under deck at HIGH SPEED.

- Replace Blade Bolt after striking a foreign object.
- Torque Blade Bolt to 115-120 FT-LBS (156-163N m).

SEE OPERATOR'S MANUAL 103-1077

17

⚠ WARNING

Hot exhaust components may grate fuel or debris. Fire or explosion may occur, resulting in property damage, personal injury or death. Do not operate without entire exhaust system in place and in proper working condition.

18

LAZER HP

19

CHECK/SERVICE REFERENCE AID

GREASE LUBE POINTS AT INTERVALS SHOWN.

- 1 CHECK HYDRAULIC FLUID AT INTERVAL SHOWN. (USE ONLY MOBIL 1 15W-50 SYNTHETIC MOTOR OIL.)
- 2 SEE ENGINE OPERATOR'S MANUAL FOR SERVICING ENGINE.
- 3 CHECK TIRE PRESSURE IN PNEUMATIC TIRES - 13 PSIA AT INTERVAL SHOWN. SEE OPERATOR'S MANUAL FOR ADDITIONAL DETAILS.

20

eXmark

21

COMMERCIAL 44

22

COMMERCIAL 48

23

COMMERCIAL 52

24

Engage and disengage at 1/2 throttle.

103-4903

25

103-4930

26

RH OFF LH

27

⚠ DANGER

COVER IS MISSING. DO NOT OPERATE THIS UNIT WHEN COVER IS NOT IN PLACE.

28

TRIVANTAGE

29

⚠ CAUTION

Mercury in tilt switch is poisonous and can cause severe illness. Never attempt to open or repair switch. Avoid contact with mercury. See operator's manual for disposal guide.

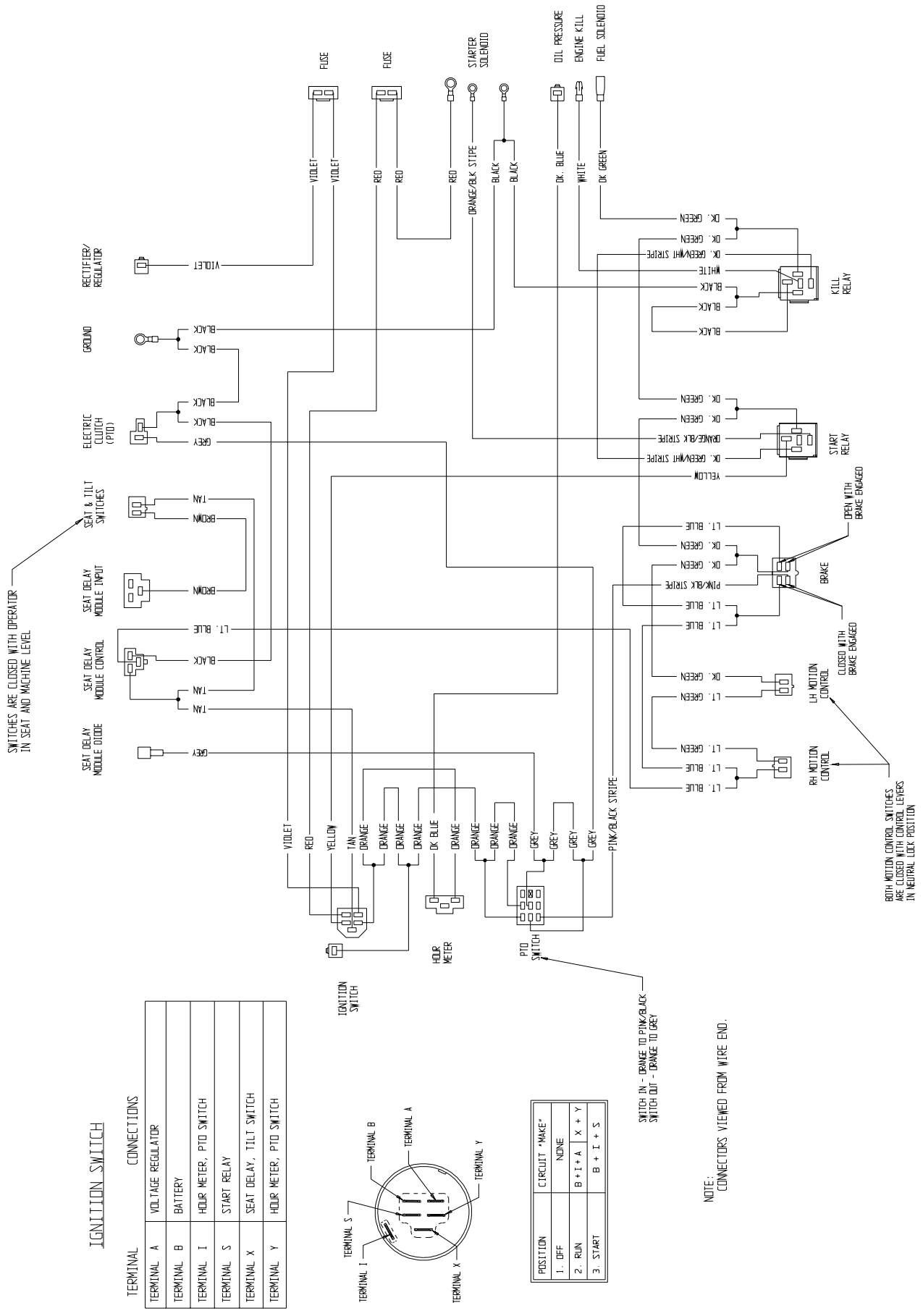
⚠ WARNING

Battery contains sulfuric acid. Avoid contact and always shield eyes, face, skin and clothing from battery. Cigarettes, flames or sparks could cause battery to explode. Do not charge or use booster cables or adjust post connections without proper training. In event of an accident flush with water and call a physician immediately. Keep out of reach of children.

DRIVE WHEEL RELEASE

Use 5/8 wrench. One turn counter-clockwise to release. Do not over-tighten.

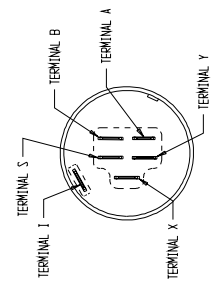
KAWASAKI ELECTRICAL DIAGRAM



SWITCHES ARE CLOSED WITH OPERATOR IN SEAT AND MACHINE LEVEL

IGNITION SWITCH

TERMINAL	CONNECTIONS
TERMINAL A	VOLTAGE REGULATOR
TERMINAL B	BATTERY
TERMINAL I	HOUR METER, PTO SWITCH
TERMINAL S	START RELAY
TERMINAL X	SEAT DELAY, TILT SWITCH
TERMINAL Y	HOUR METER, PTO SWITCH



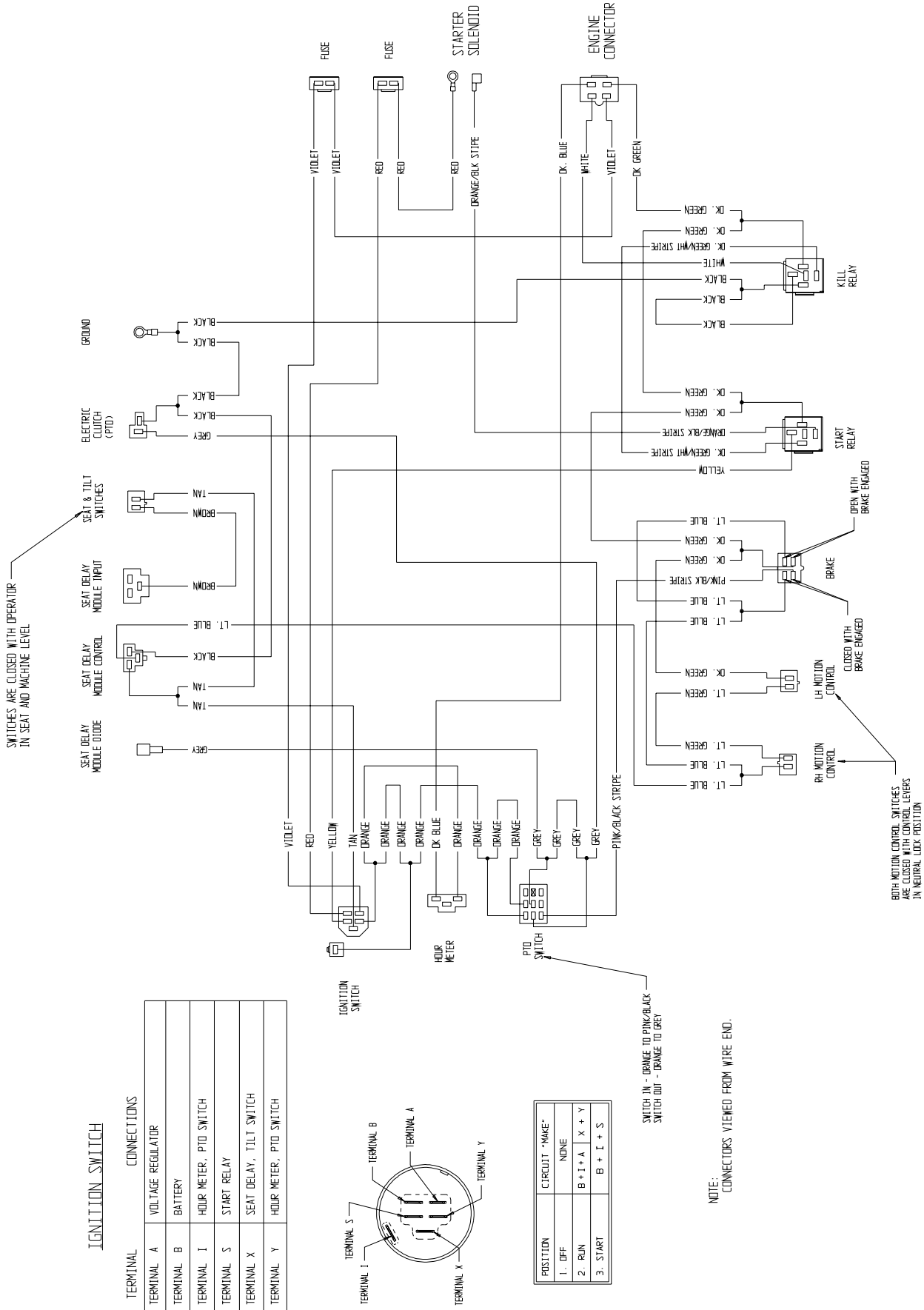
POSITION	CIRCUIT "MAKE"
1. OFF	NONE
2. RUN	B + I + A X + Y
3. START	B + I + S

SWITCH IN - ORANGE TO PINK/BLACK SWITCH OUT - ORANGE TO GREY

NOTE: CONNECTORS VIEWED FROM WIRE END.

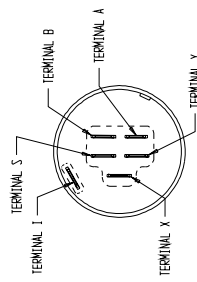
BOTH MOTION CONTROL SWITCHES ARE CLOSED WITH CONTROL LEVERS IN NEUTRAL LOCK POSITION

KOHLER ELECTRICAL DIAGRAM



IGNITION SWITCH

TERMINAL	CONNECTIONS
TERMINAL A	VOLTAGE REGULATOR
TERMINAL B	BATTERY
TERMINAL I	HOUR METER, PTO SWITCH
TERMINAL S	START RELAY
TERMINAL X	SEAT DELAY, TILT SWITCH
TERMINAL Y	HOUR METER, PTO SWITCH

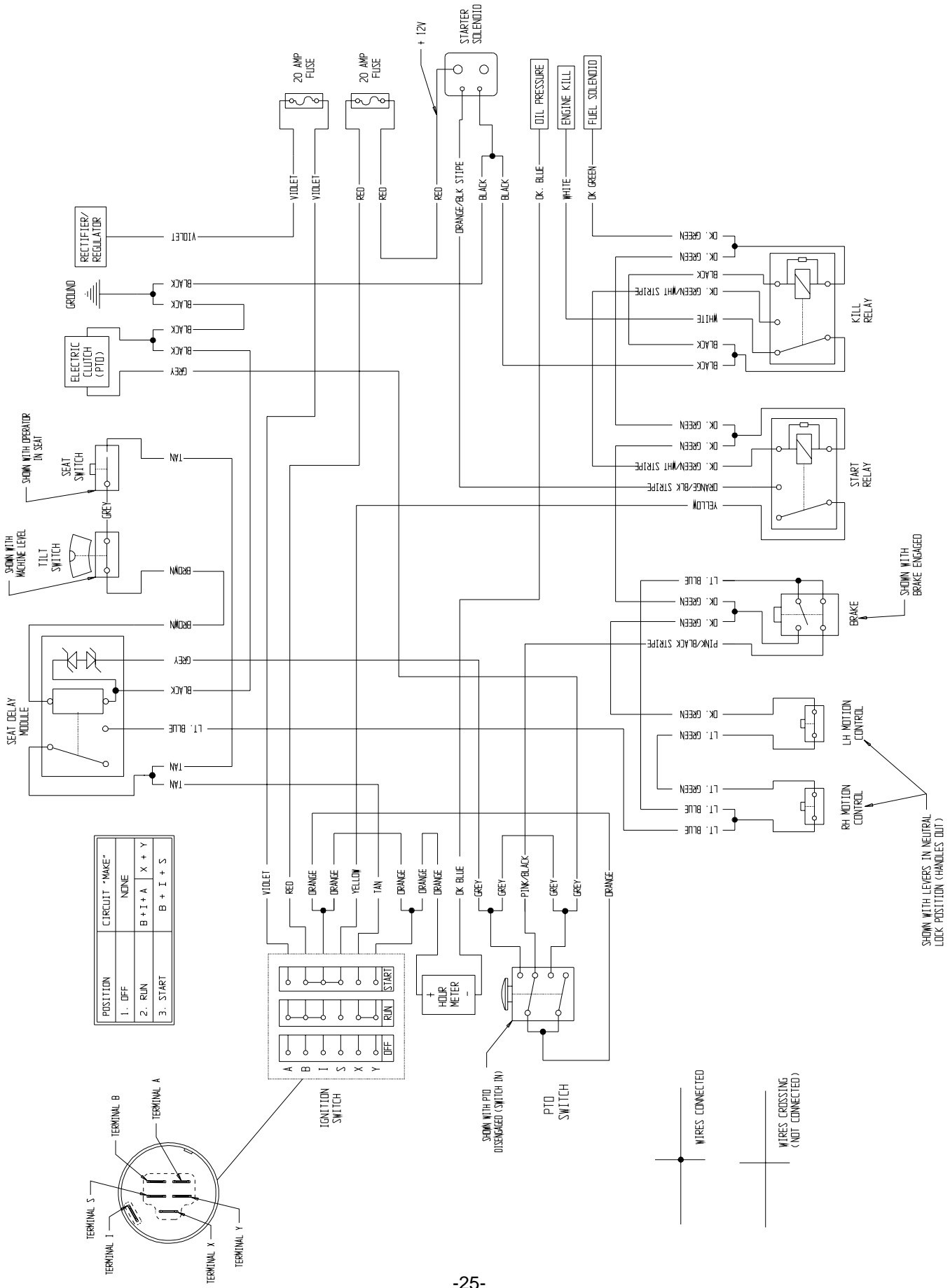


POSITION	CIRCUIT "MAKE"
1. OFF	NONE
2. RUN	B + I + A X + Y
3. START	B + I + S

SWITCH IN - ORANGE TO PINK/BLACK
SWITCH OUT - ORANGE TO GREY

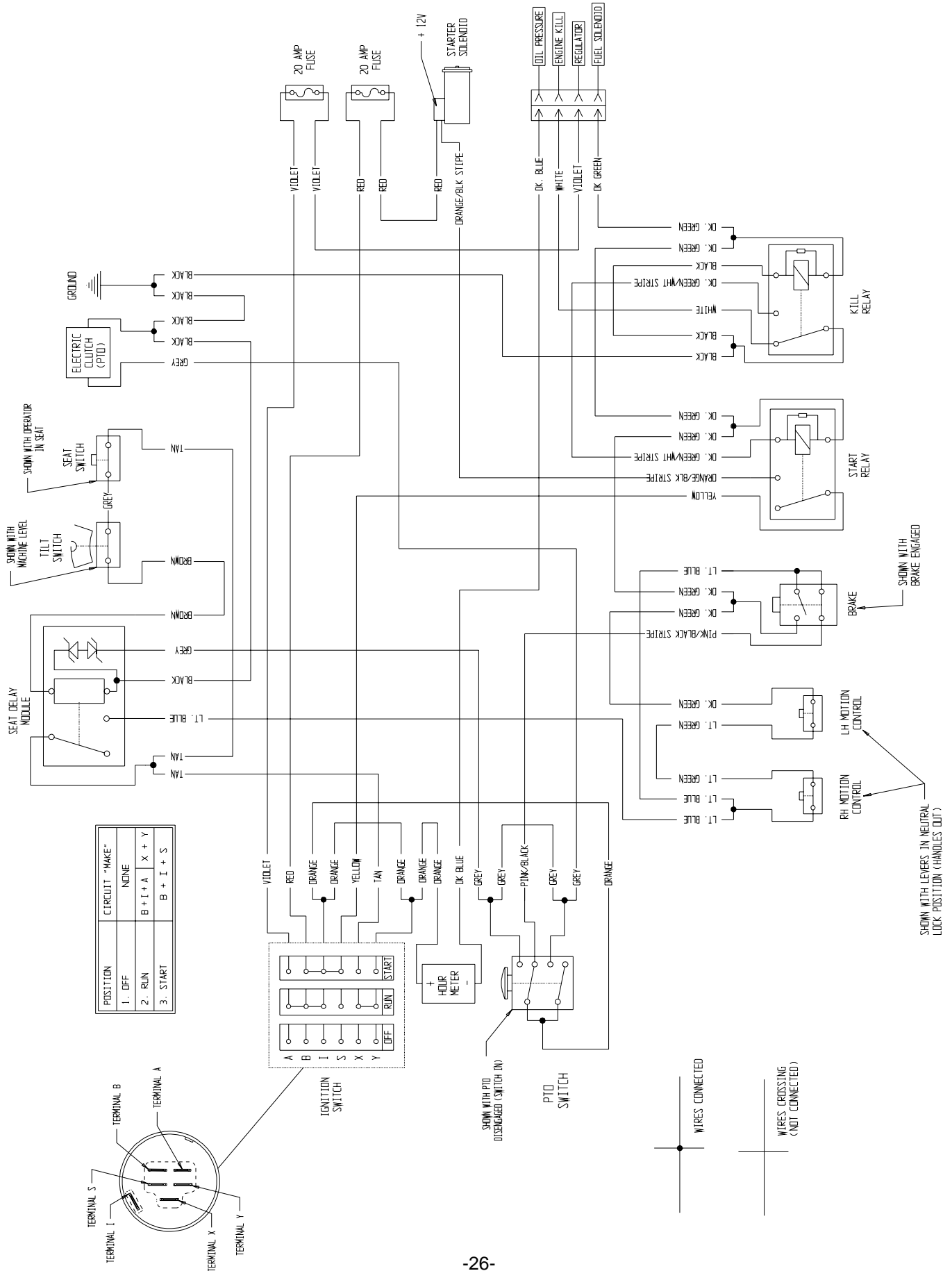
NOTE:
CONNECTORS VIEWED FROM WIRE END.

KAWASAKI ELECTRICAL LOGIC SCHEMATIC



POSITION	CIRCUIT "MAKE"
1. OFF	NONE
2. RUN	B + I + A X + Y
3. START	B + I + S

KOHLER ELECTRICAL LOGIC SCHEMATIC



SEE EXMARK'S COMPLETE LINE OF ACCESSORIES

RIDING ACCESSORIES

CUSTOM RIDE SEAT SUSPENSION SYSTEM
DECK LIFT ASSIST KIT
HITCH KIT
LIGHT KIT
MICRO-MULCH SYSTEM
ROLL OVER PROTECTION SYSTEM (ROPS)
SNOW BLADE
SUN SHADE
TRASH CONTAINER
TURF STRIPER
ULTRA VAC COLLECTION SYSTEM
ULTRA VAC QUICK DISPOSAL SYSTEM

WALK BEHIND ACCESSORIES

GRASS CATCHER
MICRO-MULCH SYSTEM
STEERABLE SULKY
SULKY HITCH KIT
TURF STRIPER

Check us out on the Web:
www.exmark.com

© 1997-2004 EXMARK MFG. CO. INC.
INDUSTRIAL PARK BOX 808
BEATRICE, NE 68310

PART NO. 103-7206
(402) 223-6300
FAX (402) 223-5489

ALL RIGHTS RESERVED

PRINTED IN U.S.A.

