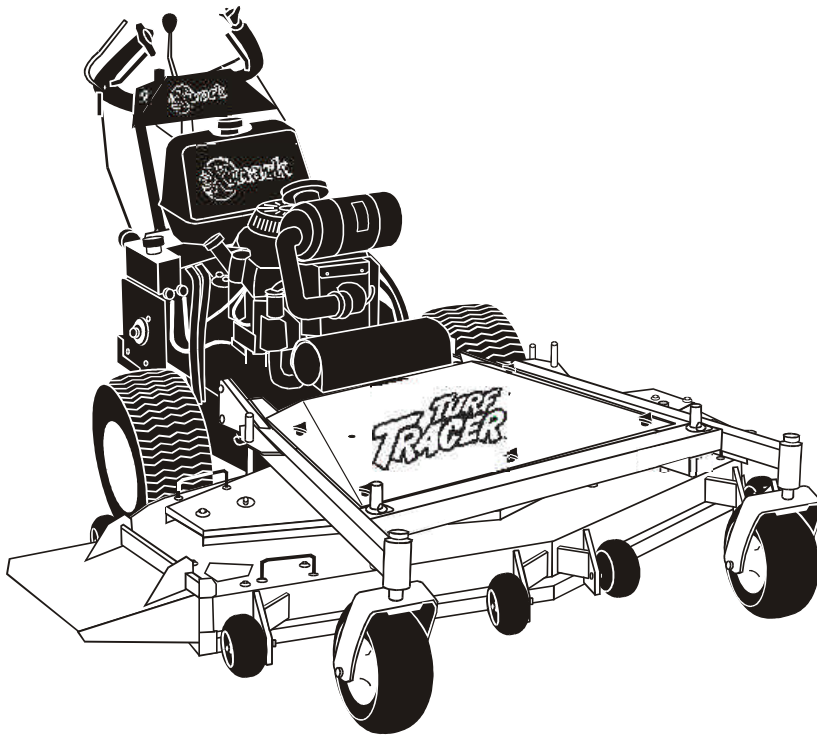


For Turf Tracer
 Serial Nos. 440,000 & Higher
 and
 FMD524 & FMD604
 Serial Nos. 440,000 & Higher



PARTS MANUAL

TURF TRACER®

CONGRATULATIONS on the purchase of your new Exmark mower. This product has been carefully designed and manufactured to give you a maximum amount of dependability and years of trouble-free operation. If additional information is needed, or should you require trained mechanic service, contact your authorized Exmark equipment dealer or distributor. If you need to order replacement parts from your dealer, always give the model number and serial number of your mower as well as the part number, description and quantity of the part needed.

The Serial No. plate of the tractor is located on top of the engine frame on the left hand side of the machine just inside the left wheel. The Serial No. Plate for the mower deck is located on the rear right hand belt cover support under the front frame. For Ease of ordering and reference, we suggest that you record the information requested in the following identification table.

Place Tractor Model No. and Serial No. Label Here
 (Included in Literature Pack)
 or Fill in Below

Tractor Model No. _____

Tractor Serial No. _____

Place Mower Deck Model No. and Serial No. Label Here
 (Included in Literature Pack)
 or Fill in Below

Mower Deck Model No. _____

Mower Deck Serial No. _____

Engine Model No. and Spec. No. (Code)

Engine Serial No. (E/No)

Date Purchased

EXMARK PARTS PLUS⁰ PROGRAM

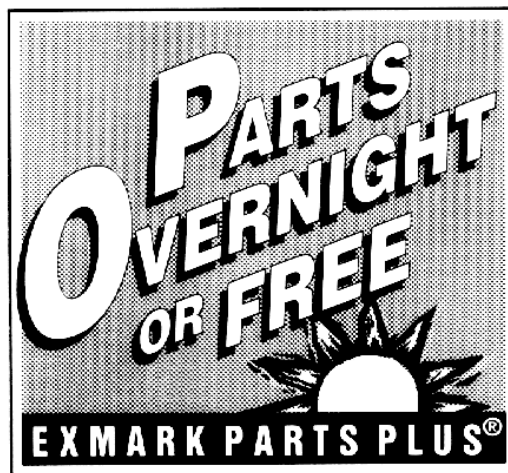
EFFECTIVE DATE: September 1, 1995

Program

If your Exmark dealer does not have the Exmark part in stock, Exmark will get the parts to the dealer the next business day or the part will be FREE* Guaranteed!!

How the Program Works

1. If dealer does not have part in stock for a "down" unit at the time of request by customer, the dealer contacts his distributor by 1:00 p.m., local time, and requests Exmark Parts Plus⁰ shipment of six (6) line items or less.
2. Distributor ships part(s) to dealer or customer, as requested by dealer, same day, overnight UPS. Distributor bills dealer for part and freight charges where applicable.
3. If distributor does not have the part(s) in stock to satisfy Exmark Parts Plus⁰ order, he contacts Exmark by 3:00 p.m., central time, with an Exmark Parts Plus⁰ order of six (6) line items or less.
4. If order is received by 3:00 p.m. central time, Exmark ships part(s) direct to dealer or customer, as requested by distributor, same day, overnight UPS. Exmark bills the distributor for parts and shipping charges, where applicable.
5. The customer pays for the part and freight if it is shipped under the Exmark Parts Plus⁰ and if it arrives in accordance to the program.
6. Who pays for the part and freight if it fails to arrive overnight in accordance to the program?
 - A. Under any circumstance the customer does not pay.
 - B. If the part does not arrive overnight due to:
 1. The dealer not submitting the Exmark Parts Plus⁰ order to his Exmark distributor by 1:00 p.m., the dealer pays for the part and freight.
 2. The Distributor being unable to ship the part the same day or not submitting the Exmark Parts Plus⁰ order to Exmark by 3:00 p.m., central time, the Distributor pays for the part and freight.
 3. Exmark being unable to ship the part and the Exmark parts order is received by 3:00 p.m., central time, Exmark pays for the part and freight.
 4. If the part does not arrive overnight due to the shipper (UPS), the shipper pays for the freight and Exmark pays for the part.



The following restrictions apply -- The Exmark Parts Plus⁰ Program is available only through participating Exmark Dealers and applies only to orders submitted on this program Monday through Thursday. Parts Plus service is available only in the 48 contiguous United States. UPS has initiated a Saturday delivery program to many areas of the continental United States and can be requested for an overnight shipment on Friday to be delivered Saturday. The next day air charge, plus the Saturday delivery fee will be the responsibility of the purchaser. Exmark Mfg. will assume no responsibility for Saturday delivery shipments. To qualify, all Exmark Parts Plus⁰ orders must be received by Exmark by 3:00 p.m., central time. Orders must be six (6) line items or less. Exclusions from the Exmark Parts Plus⁰ Program are: Any wholegood or accessory in its entirety, engines and engine replacement parts, 5-speed Peerless transmissions and 5-speed transaxles, hydraulic or hydrostatic wheel motors, cutter decks and engine decks or any item exceeding United Parcel Service size and weight restrictions.

Due to UPS restrictions, aerosol spray paint is considered a hazardous material and cannot be shipped via UPS next day or Second Day Air.

Exmark Manufacturing stocks a limited supply of parts for transaxles, pumps and wheel motors. These parts can be ordered for Next Day Air shipment but will not be guaranteed per the Parts Plus Program.



**READ OPERATOR'S MANUAL BEFORE
OPERATING OR SERVICING EXMARK EQUIPMENT.**

TABLE OF CONTENTS

| <u>Description</u> | <u>Page</u> |
|--|--------------------|
| 52" and 60" Deck Support FMD524 and FMD604 | 7 |
| 52" Mower Deck | 3-4 |
| 60" Mower Deck | 5-6 |
| Decals | 17 |
| ECS Upper Handles & Controls..... | 11-12 |
| Pistol Grip Handles & Controls | 13-14 |
| Electrical Diagram | 18 |
| Electrical Group..... | 16 |
| Electrical Logic Schematic..... | 19 |
| Engine Deck Group | 8-10 |
| Hydraulics Group | 15 |

52" DECK GROUP FMD524

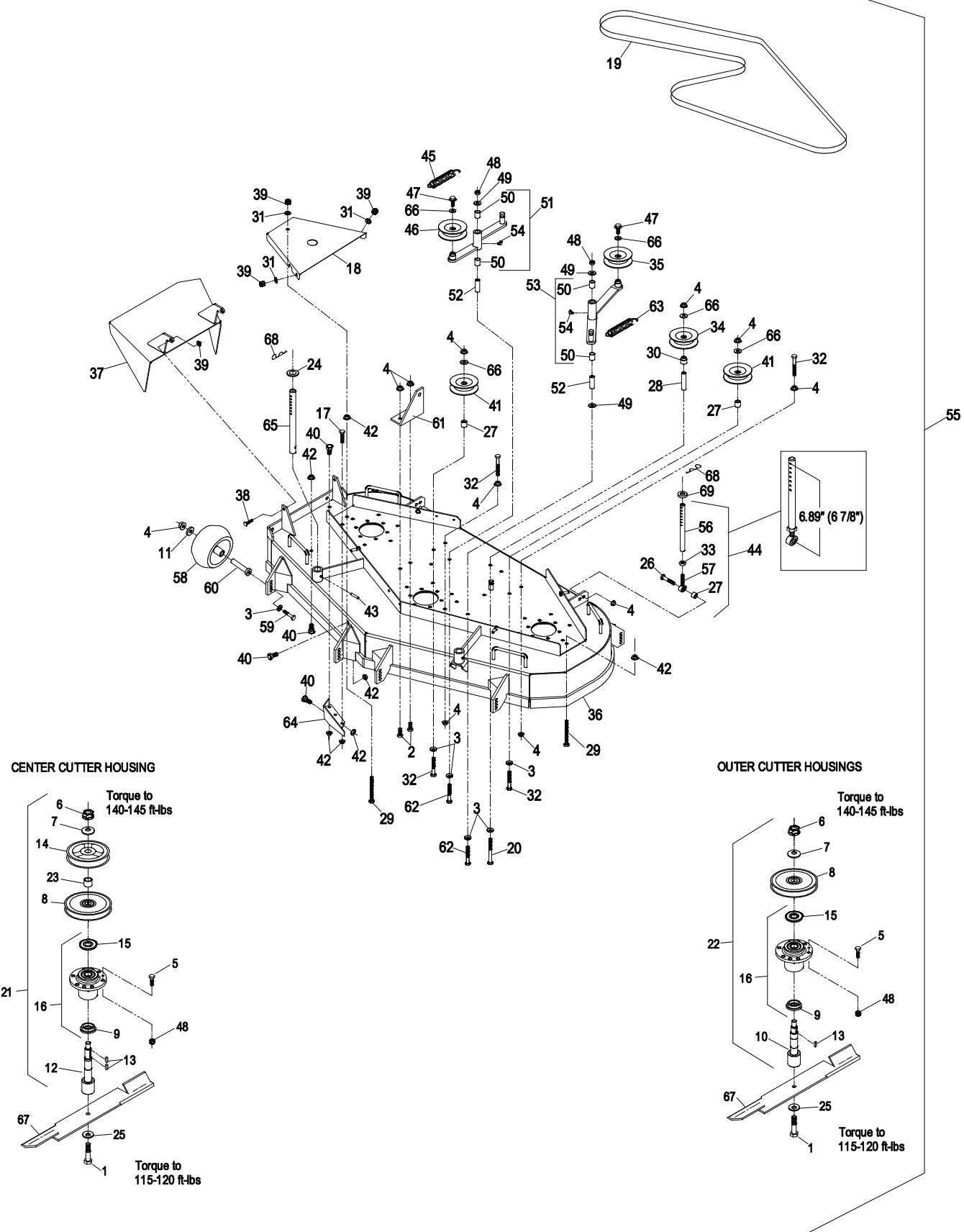
| Item | Part No. | Description | Qty. |
|------|-------------|---|------|
| 1 | 103-0862 | Capscrew, 5/8-18 x 2 3/4, Gr8 | 3 |
| 2 | 323-6 | Capscrew, 3/8-16 x 1 | 2 |
| 3 | 98-5975 | Washer, Disc Spring 3/8 | 11 |
| 4 | 3290-357 | Nut, Whizlock 3/8-16 | 17 |
| 5 | 323-7 | Capscrew, 3/8-16 x 1 1/4 | 18 |
| 6 | 3217-46 | Nut, HH 3/4-16 Heavy | 3 |
| 7 | 103-2802 | Washer, Spring Disc | 3 |
| 8+ | 103-2794 | Sheave, Blade Drive | 3 |
| 9 | 103-2535 | Spacer, Guard Bottom | 3 |
| 10+ | 103-2785 | Spindle, Outer Blade (Short) | 2 |
| 11 | 1-373034 | Washer, Pivot | 6 |
| 12+ | 103-2786 | Spindle, Center Blade (Long) | 1 |
| 13 | 103-2982 | Key, 1/4 x 3/16 x 3/4 | 4 |
| 14+ | 103-2793 | Sheave, Mower Drive | 1 |
| 15+ | 103-1330 | Guard, Bearing Top | 3 |
| 16+ | 103-2547 | Housing W/Bearings | 3 |
| 17 | 322-3 | Capscrew, 5/16-18 x 3/4 | 1 |
| 18 | 103-2969-01 | Cover, Deck | 2 |
| 19 | 103-2329 | Belt, Blade Drive | 1 |
| 20 | 323-23 | Capscrew, 3/8-16 x 4.5 | 1 |
| 21● | 103-3199 | Housing, Cutter Complete (Center) | 1 |
| 22● | 103-3200 | Housing, Cutter Complete (Outer) | 2 |
| 23 | 103-3209 | Spacer, Tube | 1 |
| 24 | 1-413425 | Spacer | 2 |
| 25 | 103-0865 | Washer, Blade Bolt Hvy | 3 |
| 26 | 323-9 | Capscrew, 3/8-16 x 1 3/4 | 2 |
| 27 | 1-603050 | Spacer | 4 |
| 28 | 1-633988 | Spacer | 1 |
| 29 | 1-800017 | Bolt, Tap 5/16-18 x 3 1/4 | 2 |
| 30 | 1-513791 | Bushing | 1 |
| 31 | 3256-3 | Washer, 5/16 Flat | 6 |
| 32 | 323-12 | Capscrew, 3/8-16 x 2 1/2 | 4 |
| 33 | 3219-3 | Nut, Hex 3/8-24 | 2 |
| 34 | 1-603805 | Idler | 1 |
| 35 | 1-613098 | Idler | 1 |
| 36 | 103-2335 | Deck, 103-2321-01 W/ Decals | 1 |

| Item | Part No. | Description | Qty. |
|------|-------------|---|------|
| 37 | 103-2348-01 | Chute, Discharge | 1 |
| 38 | 322-5 | Capscrew, 5/16-18 x 1 | 2 |
| 39 | 3296-29 | Nut, Nyloc 5/16-18 | 8 |
| 40 | 322-2 | Capscrew, 5/16-18 x 5/8 | 5 |
| 41 | 1-303516 | Pulley, V-Idler | 2 |
| 42 | 32128-20 | Nut, Whizlock 5/16-18 | 8 |
| 43 | 1-806332 | Roll Pin, 1/4 x 1-1/2 | 2 |
| 44* | 1-414521 | Link Assy | 2 |
| 45 | 1-603413 | Spring, Extension | 1 |
| 46 | 1-603497 | Pulley, Idler | 1 |
| 47 | 3234-11 | Screw, Whizlock 3/8-16 x 1 | 2 |
| 48 | 3296-39 | Nut, Nyloc 3/8-16 | 20 |
| 49 | 3256-4 | Washer, 3/8 | 3 |
| 50 | 1-513034 | Bearing, Pivot | 4 |
| 51 | 1-602604 | Idler Arm Assy W/Bearings | 1 |
| 52 | 1-603384 | Bushing, Idler Pivot | 2 |
| 53 | 1-602865 | Idler Arm, W/ Bearings Deck Drive | 1 |
| 54 | 302-40 | Zerk, 1/4-28 (90°) | 2 |
| 55 | 103-2327 | Complete Deck Assembly | 1 |
| 56 | 1-413525 | Link, Rear Deck Support | 2 |
| 57 | 1-613204 | Balljoint | 2 |
| 58◆ | 1-603299 | Roller, Anti Scalp | 6 |
| 59 | 98-5961 | Capscrew, 3/8-16 x 4 Gr8 | 6 |
| 60 | 1-603602 | Bushing, Roller | 6 |
| 61 | 1-603620-01 | Bracket, Spring Anchor | 1 |
| 62 | 1-800805 | Capscrew, 3/8-16 x 3-1/2 Gr8 | 2 |
| 63 | 1-603414 | Spring, Extension | 1 |
| 64 | 1-602913-01 | Baffle | 1 |
| 65 | 1-603001 | Rod, Deck Support | 2 |
| 66 | 3256-24 | Washer, 3/8 SAE Flat | 5 |
| 67 | 103-2528 | Blade, Notched | 3 |
| | 103-1578 | Blade, Solid | 3 |
| | 103-2508 | Blade, Low Lift | 3 |
| ▲ | 103-2518 | Blade, Mulching | 3 |
| 68 | 1-806009 | Hairpin, Cotter | 4 |
| 69 | 1-323539 | Spacer | 2 |

Exmark red touch up spray paint - P/N 1-850337.

- ✚ Apply Mobil HTS grease (P/N 103-5217 1.5 oz packet) (or a food-grade anti-sieze) between the spindles & bearings and spindles & sheaves and under top bearing guard. DO NOT use a copper or nickel based anti-sieze.
- Complete cutter housings also include items #1 & #25.
- * Link assembly nominal length is 6.89" (or approx. 6 7/8") between center of ball joint & center of furthest hole. See diagram on next page. Initially adjust both links to this dimension, then adjust to where both links are equally supporting rear of mower deck by lengthening one link and shortening th other by an equal amount.
- ◆ Kit 103-3168 includes antiscalp roller, bushing, & mounting hardware.
- ▲ Requires installation of Micro-Mulch accessory for proper mulching. Mulch kit P/N MK524.

52" DECK GROUP FMD524



60" DECK GROUP FMD604

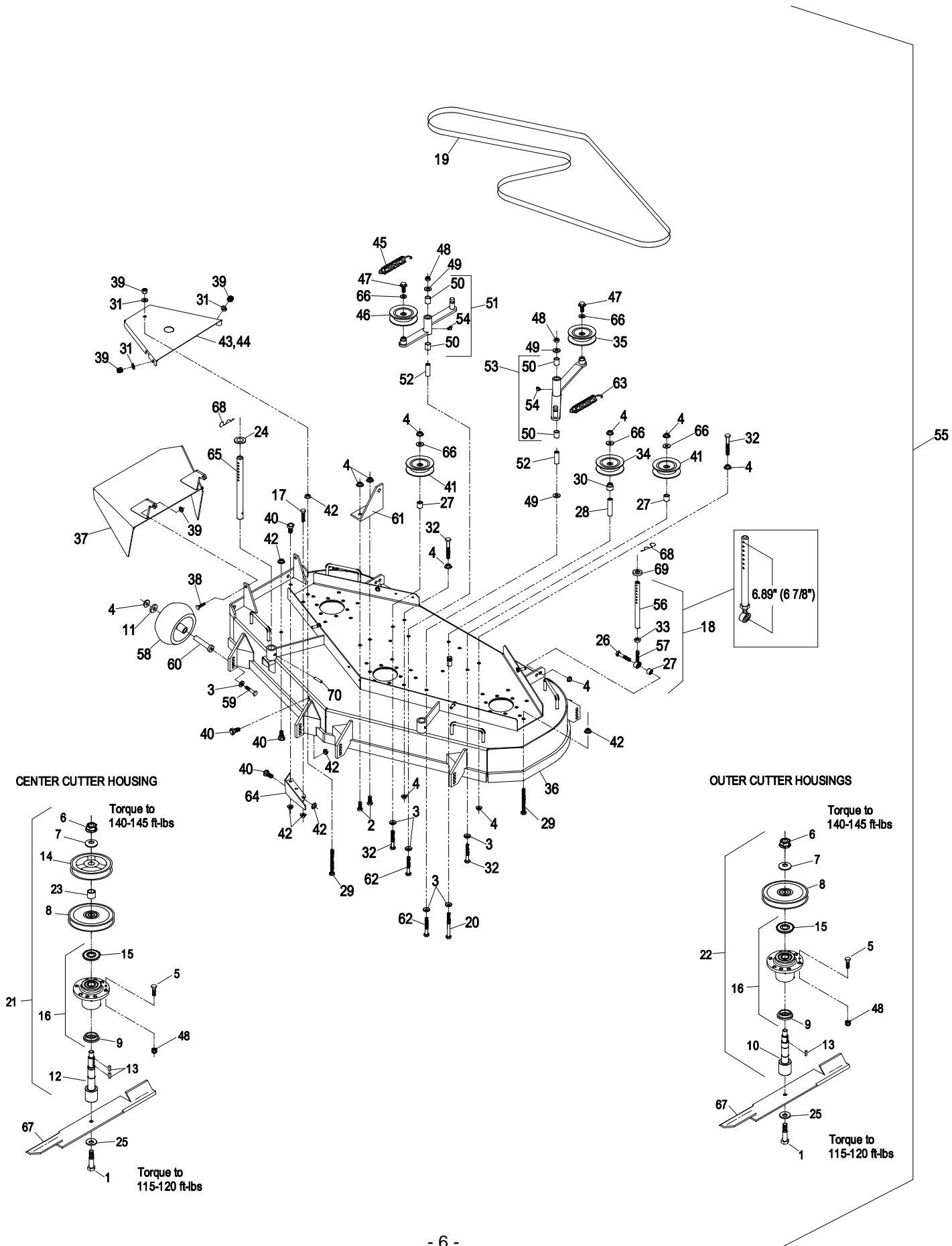
| Item | Part No. | Description | Qty. |
|------|-------------|---|------|
| 1 | 103-0862 | Capscrew, 5/8-18 x 2 3/4, Gr8 | 3 |
| 2 | 323-6 | Capscrew, 3/8-16 x 1 | 2 |
| 3 | 98-5975 | Washer, Disc Spring 3/8 | 11 |
| 4 | 3290-357 | Nut, Whizlock 3/8-16 | 17 |
| 5 | 323-8 | Capscrew, 3/8-16 x 1 1/2 | 18 |
| 6 | 3217-46 | Nut, HH 3/4-16 Heavy | 3 |
| 7 | 103-2802 | Washer, Spring Disc | 3 |
| 8+ | 103-2794 | Sheave, Blade Drive | 3 |
| 9 | 103-2535 | Spacer, Guard Bottom | 3 |
| 10+ | 103-2785 | Spindle, Outer Blade (Short) | 2 |
| 11 | 1-373034 | Washer, Pivot | 6 |
| 12+ | 103-2786 | Spindle, Center Blade (Long) | 1 |
| 13 | 103-2982 | Key, 1/4 x 3/16 x 3/4 | 4 |
| 14+ | 103-2791 | Sheave, Mower Drive | 1 |
| 15+ | 103-1330 | Guard, Bearing Top | 3 |
| 16+ | 103-2547 | Housing W/Bearings | 3 |
| 17 | 322-3 | Capscrew, 5/16-18 x 3/4 | 1 |
| 18* | 1-414521 | Link Assy | 2 |
| 19 | 1-633173 | Belt, Blade Drive | 1 |
| 20 | 323-23 | Capscrew, 3/8-16 x 4.5 | 1 |
| 21● | 103-3205 | Housing, Cutter Complete (Center) | 1 |
| 22● | 103-3200 | Housing, Cutter Complete (Outer) | 2 |
| 23 | 103-3209 | Spacer, Tube | 1 |
| 24 | 1-413425 | Spacer | 2 |
| 25 | 103-0865 | Washer, Blade Bolt Hvy | 3 |
| 26 | 323-9 | Capscrew, 3/8-16 x 1 3/4 | 2 |
| 27 | 1-603050 | Spacer | 4 |
| 28 | 1-633988 | Spacer | 1 |
| 29 | 1-800017 | Bolt, Tap 5/16-18 x 3 1/4 | 2 |
| 30 | 1-513791 | Bushing | 1 |
| 31 | 3256-3 | Washer, 5/16 Flat | 6 |
| 32 | 323-12 | Capscrew, 3/8-16 x 2 1/2 | 4 |
| 33 | 3219-3 | Nut, Hex 3/8-24 | 2 |
| 34 | 1-603805 | Idler | 1 |
| 35 | 1-613098 | Idler | 1 |
| 36 | 103-2278 | Deck, 103-2267-01 W/ Decals | 1 |
| 37 | 103-2349-01 | Chute, Discharge | 1 |

| Item | Part No. | Description | Qty. |
|------|-------------|--------------------------------------|------|
| 38 | 322-5 | Capscrew, 5/16-18 x 1 | 2 |
| 39 | 3296-29 | Nut, Nyloc 5/16-18 | 8 |
| 40 | 322-2 | Capscrew, 5/16-18 x 5/8 | 5 |
| 41 | 1-303516 | Pulley, V-Idler | 2 |
| 42 | 32128-20 | Nut, Whizlock 5/16-18 | 8 |
| 43 | 103-2967-01 | Shield, Belt RH | 1 |
| 44 | 103-2968-01 | Shield, Belt LH | 1 |
| 45 | 1-603413 | Spring, Extension | 1 |
| 46 | 1-603497 | Pulley, Idler | 1 |
| 47 | 3234-11 | Screw, Whizlock 3/8-16 x 1 | 2 |
| 48 | 3296-39 | Nut, Nyloc 3/8-16 | 20 |
| 49 | 3256-4 | Washer, 3/8 | 3 |
| 50 | 1-513034 | Bearing, Pivot | 4 |
| 51 | 1-602604 | Idler Arm Assy W/Bearings | 1 |
| 52 | 1-603384 | Bushing, Idler Pivot | 2 |
| 53 | 1-602865 | Idler Arm, W/ Brngs Deck Drive | 1 |
| 54 | 302-40 | Zerk, 1/4-28 (90°) | 2 |
| 55 | 103-2279 | Complete Deck Assy | 1 |
| 56 | 1-413525 | Link, Rear Deck Support | 2 |
| 57 | 1-613204 | Balljoint | 2 |
| 58◆ | 1-603299 | Roller, Anti Scalp | 6 |
| 59 | 98-5961 | Capscrew, 3/8-16 x 4 Gr8 | 6 |
| 60 | 1-603602 | Bushing, Roller | 6 |
| 61 | 1-603620-01 | Bracket, Spring Anchor | 1 |
| 62 | 1-800805 | Capscrew, 3/8-16 x 3 1/2 Gr8 | 2 |
| 63 | 1-603414 | Spring, Extension | 1 |
| 64 | 1-602913-01 | Baffle | 1 |
| 65 | 1-603001 | Rod, Deck Support | 2 |
| 66 | 3256-24 | Washer, 3/8 SAE Flat | 5 |
| 67 | 103-2530 | Blade, Notched | 3 |
| | 103-1580 | Blade, Solid | 3 |
| | 103-2510 | Blade, Low Lift | 3 |
| ▲ | 103-0301 | Blade, Mulching | 3 |
| 68 | 1-806009 | Hairpin, Cotter | 4 |
| 69 | 1-323539 | Spacer | 2 |
| 70 | 1-806332 | Roll Pin, 1/4 X 1-1/2 | 2 |

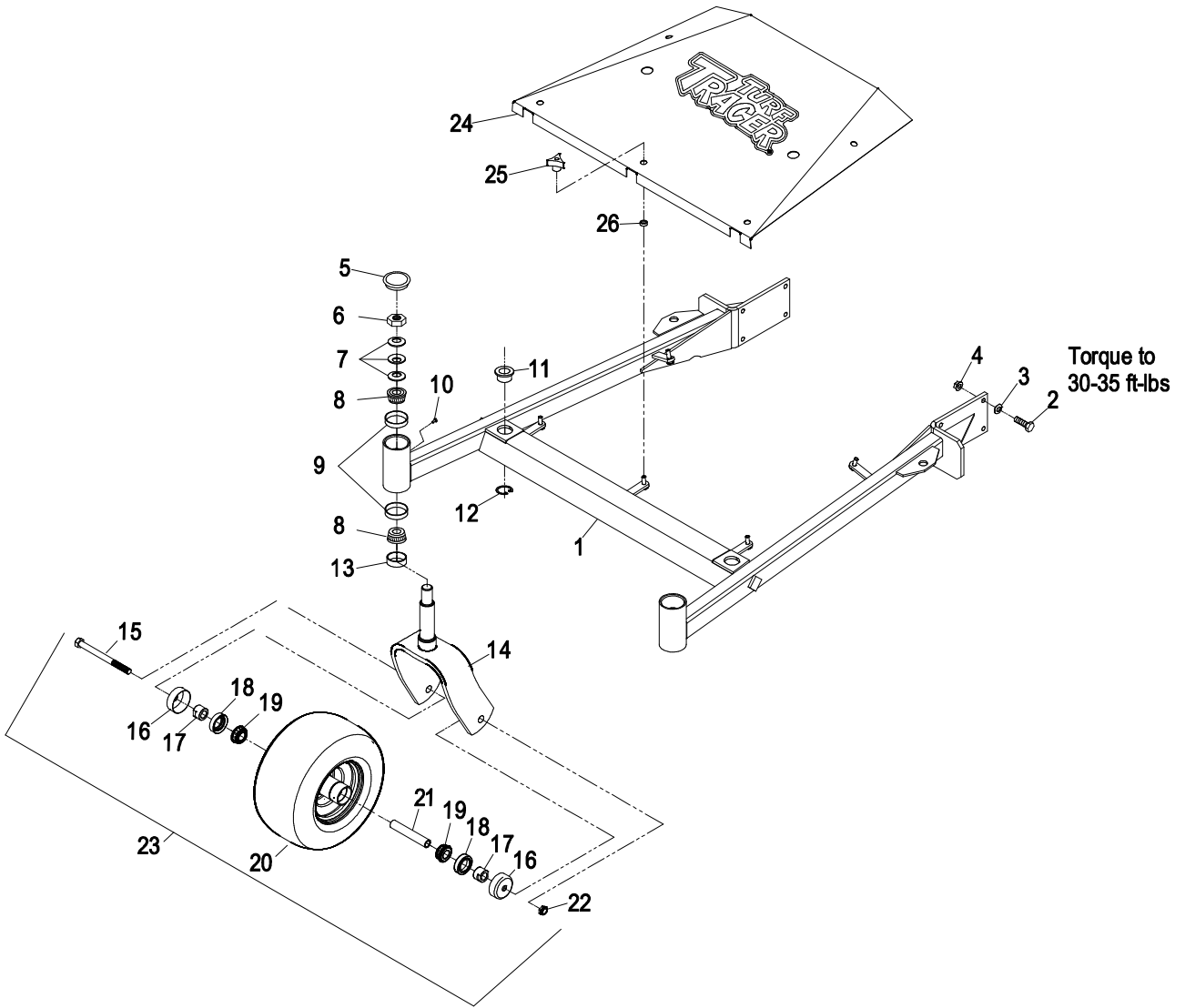
Exmark red touch up spray paint - P/N 1-850337.

- ✦ Apply Mobil HTS grease (P/N 103-5217 1.5 oz packet) (or a food-grade anti-sieze) between the spindles & bearings and spindles & sheaves and under top bearing guard. DO NOT use a copper or nickel based anti-sieze.
- Complete cutter housings also include items #1 & #25.
- * Link assembly nominal length is 6.89" (or approx. 6 7/8") between center of ball joint & center of furthest hole. See diagram on next page. Initially adjust both links to this dimension, then adjust to where both links are equally supporting rear of mower deck by lengthening one link and shortening th other by an equal amount.
- ◆ Kit 103-3168 includes antiscalp roller, bushing, & mounting hardware.
- ▲ Requires installation of Micro-Mulch accessory for proper mulching. Mulch kit P/N MK604.

60" DECK GROUP FMD604



52" and 60" DECK SUPPORT FMD524 and FMD604



| Item | Part No. | Description | Qty. |
|------|-------------|-----------------------------------|------|
| 1▲ | 103-1895 | Support, Deck (103-4959-01) (52") | 4 |
| ▲ | 103-1896 | Support, Deck (103-4960-01) (60") | 4 |
| 2 | 323-7 | Capscrew, 3/8-16 x 1 1/4 | 8 |
| 3 | 98-5975 | Washer, Disc Spring 3/8 | 8 |
| 4 | 3290-357 | Nut, Whizlock 3/8-16 | 8 |
| 5 | 103-4882 | Cap, Grease | 2 |
| 6 | 3296-51 | Nut, Nyloc 3/4-10 | 2 |
| 7 | 1-633508 | Washer, Spring Disk | 6 |
| 8 | 1-543509 | Bearing, Cone Tapered Roller | 4 |
| 9 | 1-543508 | Bearing, Cup Tapered Roller | 4 |
| 10 | 1-811010 | Plug | 2 |
| 11 | 1-513336 | Bushing, Deck Support | 2 |
| 12 | 32120-33 | Ring, Retaining (External) | 2 |
| 13 | 1-543511 | Seal, Grease | 2 |
| 14 | 103-1891-01 | Fork, Caster | 2 |

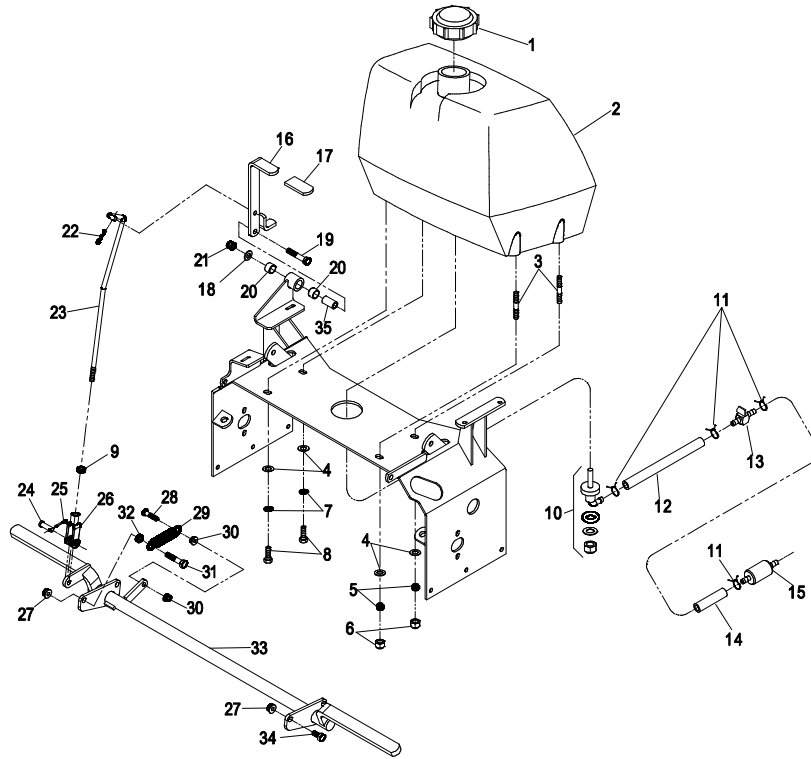
| Item | Part No. | Description | Qty. |
|------|----------|---|------|
| 15 | 325-20 | Capscrew, 1/2-13 x 6 | 2 |
| 16 | 103-2768 | Guard | 4 |
| 17+ | 103-3051 | Spacer, Nut | 4 |
| 18 | 103-0063 | Seal, Caster | 4 |
| 19 | 1-633585 | Bearing, Cone | 4 |
| 20 | 1-513032 | Tire, 11 x 4-5 4 Ply | 2 |
| 21 | 103-3157 | Axle, Caster | 2 |
| 22 | 3296-45 | Nut, Nyloc 1/2-13 Thin | 2 |
| 23 | 103-3800 | Asm, Wheel & Tire With Axle | 2 |
| 24 | 103-2332 | Shield, Belt (103-2319-01) W/Decal (52") | 1 |
| | 103-2275 | Shield, Belt (103-2273-01) W/Decal (60") | 1 |
| 25 | 1-323385 | Knob, 3 Prong | 5 |
| 26 | 1-323417 | Washer, Belt Cover Mounting | 5 |

Exmark red touch up spray paint - P/N 1-850337.

➤ Use Pro-Lock, Nut Type (P/N 1-840022, .5ml tube) on spacer nut, Item #17.

▲ Includes frame weldment plus items #5, #9, #10, #11, #12 and #13.

ENGINE DECK GROUP



| Item | Part No. | Description | Qty. |
|------|-----------------|--|------|
| 1 | 103-2107 | Cap, Gas | 1 |
| 2 | 103-1929 | Gas Tank..... | 1 |
| 3◆ | 1-633023 | Stud, Fuel Tank | 2 |
| 4 | 3256-23 | Washer, Flat 5/16 Std..... | 4 |
| 5 | 1-633349 | Spring, Fuel Tank | 2 |
| 6 | 3296-47 | Nut, Nyloc 5/16-18 | 2 |
| 7 | 1-805005 | Washer, 5/16 Lock..... | 2 |
| 8 | 322-3 | Screw, 5/16-18 x 3/4..... | 2 |
| 9 | 3220-3 | Nut, 3/8-24 Jam | 1 |
| 10+ | 103-2605 | Fitting, Fuel Bulkhd W/ Screen..... | 1 |
| 11 | 1-303077 | Clamp, Fuel Line | 4 |
| 12 | 1-543649 | Hose, Fuel 7.0 (KAW)..... | 1 |
| | 1-303022 | Hose, Fuel 8.5 (KOH) | 1 |
| 13 | 1-603770 | Valve, Fuel | 1 |
| 14 | 1-603776 | Hose, Fuel 2.5 (KOH) | 1 |
| | 1-303022 | Hose, Fuel 8.5 (KAW)..... | 1 |
| 15 | Kohler | Part No. 2405002 Fuel Filter..... | 1 |
| | Kawasaki | Part No. 49019-7001 Fuel Filter..... | 1 |
| 16 | 103-3423 | Lever, Park Brake (103-2208-03) W/Decal & Grip..... | 1 |

| Item | Part No. | Description | Qty. |
|------|-------------|------------------------------|------|
| 17 | 1-303020 | Grip, Lever | 1 |
| 18 | 3256-24 | Washer, 3/8 SAE Flat..... | 1 |
| 19 | 323-10 | Screw, 3/8-16 x 2 | 1 |
| 20 | 1-413347 | Sleeve, Bushing | 2 |
| 21 | 3296-39 | Nut, 3/8-16 Nyloc..... | 1 |
| 22 | 1-806003 | Hairpin, Cotter | 1 |
| 23 | 103-1951 | Linkage, Park Brake | 1 |
| 24 | 1-808285 | Pin, Clevis 3/8 x 1 1/8..... | 1 |
| 25 | 3272-10 | Pin, Cotter 1/8 x 3/4..... | 1 |
| 26 | 1-633131 | Yoke, Brake Linkage | 1 |
| 27 | 3290-357 | Nut, 3/8-16 Whizlock | 4 |
| 28 | 322-6 | Screw, 5/16-18 x 1 1/4..... | 1 |
| 29 | 1-323161 | Spring..... | 1 |
| 30 | 32128-20 | Nut, 5/16-18 Whizlock | 2 |
| 31 | 323-9 | Screw, 3/8-16 x 1 3/4..... | 1 |
| 32 | 3218-3 | Nut, Jam 3/8-16..... | 1 |
| 33 | 103-2205-03 | Brake Weldmt..... | 1 |
| 34 | 323-4 | Screw, 3/8-16 x 3/4 | 3 |
| 35 | 1-413344 | Bushing, Pivot | 1 |

Exmark black touch up spray paint – Gloss black.

✦ Use Pro-lock, nut type (P/N 1-840022, .5ml tube) on fuel fitting threads.

◆ Use Pro-lock, retaining type (P/N 1-840023, .5cc tube) on stud threads going into the tank.

Kohler Replacement Parts List

(Refer to Engine Owner's Manual)

| Description | Kohler P/N |
|---------------------------------|------------|
| Air Filter Element – Outer..... | 2508301-S |
| Air Filter Element – Inner..... | 2508304-S |

Kawasaki Replacement Parts List

| Description | Kawasaki P/N |
|-----------------------------|--------------|
| Air Filter Element Kit..... | 11010-7004 |
| (Inner & Outer) | |

ENGINE DECK GROUP (cont.)

| Item | Part No. | Description | Qty. |
|------|-------------|---|------|
| 1 | 103-3422 | Eng Deck 103-2963-01 W/ Decals | 1 |
| 2* | 103-1963 | Valve, Oil Drain (KOH)..... | 1 |
| 3* | 103-1965 | Valve, Oil Drain (KAW) | 1 |
| 4 | 103-1966 | Adapter, M20-2.5 x 3/8 NPT | 1 |
| 5 | 1-602997 | Hub, 4 Bolt..... | 2 |
| | 1-633926 | Stud..... | 8 |
| 6 | 103-1715 | Tire And Wheel Assy | 2 |
| | 103-2237 | Tire Only 18 x 8.50 | 2 |
| | 103-2238 | Wheel Only..... | 2 |
| 7 | 242-50 | Nut, Wheel..... | 8 |
| 8 | 1-807019 | Key, Woodruff 1" x 1/4"..... | 2 |
| 9 | 1-806800 | Pin, Cotter 9/64 x 1 1/2..... | 2 |
| 10 | 32136-5 | Nut, 3/4-16-2B Slotted Hex | 2 |
| 11 | 1-613089 | Anchor, Spring..... | 2 |
| 12 | 1-413510 | Clip, Loom 2.06 Dia. | 3 |
| 13 | 1-807259 | Key, 1/4 x 1/4 x 1..... | 1 |
| 14 | 103-2240 | Belt, Deck Drive(52") | 1 |
| | 1-603306 | Belt, Deck Drive(60") | 1 |
| 15 | 103-0662 | Clutch W/Plastic Tie..... | 1 |
| 16 | 1-633543-03 | Strap, Clutch..... | 1 |
| 17 | 1-323195 | Standoff, Clutch | 1 |
| 18 | 1-303287 | Plastic Tie, Small | 1 |
| 19 | 103-1167 | Joint, .38x.38FE LH Ball End (ECS)..... | 2 |
| 20● | 1-653035 | Sheave, 4 1/4 O.D | 1 |
| 21 | 1-413010 | Sheave, Pump | 2 |
| 22 | 1-807272 | Key, 5mm Sq x 25mm | 2 |
| 23▲ | 1-803050 | Setscrew, 5/16-18 x 3/4 | 4 |
| 24 | 1-603843 | Pulley, Idler..... | 1 |
| 25 | 1-603496 | Bushing, Idler..... | 1 |
| 26 | 1-602521 | Idler Arm W/Bushings | 1 |
| 27 | 1-603044 | Bushing, Idler Pivot..... | 1 |
| 28 | 1-603402 | Spring, Extension | 1 |
| 29 | 103-4681 | Bearing, Pivot | 2 |
| 30 | 302-19 | Zerk, Grease 1/4-20..... | 3 |
| 31 | 1-633102 | Bearing, Flanged | 2 |
| 32 | 1-613206 | Rod, Control Arm..... | 2 |
| 33 | 1-323245 | Spring..... | 1 |
| 34 | 1-603676 | Swivel..... | 2 |
| 35 | 1-413151 | Knob, Tracking | 1 |
| 36 | 103-4673-01 | Support, Tank/Handle (ECS) | 1 |
| | 103-5353-01 | Support, Tank/Handle (Pistol Grip) | 1 |
| 37 | 103-1561-01 | Arm, Control LH..... | 1 |
| 38 | 103-1562-01 | Arm,Control RH(Not Shown)..... | 1 |
| 39 | 1-613271 | Belt,Hyd Trans Drive ("A" Belt)..... | 1 |
| 40 | 1-603693 | Spring, Extension | 2 |
| 41 | 103-2234-01 | Crank Weldmt..... | 1 |
| 42 | 1-603737 | Bolt, Neutral Return | 2 |
| 43 | 103-0265 | Spring, Neutral Return (ECS)..... | 2 |
| | 1-603807 | Spring, Neutral Return (Pistol Grip)..... | 2 |

| Item | Part No. | Description | Qty. |
|------|----------|---|------|
| 44 | 1-603735 | Bushing, Flanged | 2 |
| 45 | 1-303105 | Yoke, Adjustable | 2 |
| 46 | 322-3 | Screw, 5/16-18 x 3/4..... | 13 |
| 47 | 103-2421 | Tube, Pump Link Spacer (ECS)..... | 2 |
| 48 | 3290-357 | Nut, 3/8-16 Whizlock (ECS)..... | 4 |
| | 3290-357 | Nut, 3/8-16 Whizlock (Pistol Grip)..... | 3 |
| 49 | 32128-20 | Nut, 5/16-18 Whizlock | 28 |
| 50 | 322-38 | Screw, 5/16-18 x 4 1/2..... | 1 |
| 51 | 322-6 | Screw, 5/16-18 x 1 1/4..... | 1 |
| 52▲ | 3212-10 | Screw, 7/16-20 x 2 1/2 (KOH)..... | 1 |
| | 3212-12 | Screw, 7/16-20 x 3 (KAW) | 1 |
| 53 | 1-603610 | Washer, Spring Disc..... | 2 |
| 54 | 1-633545 | Spacer, Clutch Anchor..... | 2 |
| 55 | 1-613235 | Washer..... | 4 |
| 56 | 3296-29 | Nut, Nyloc 5/16-18..... | 5 |
| 57 | 322-7 | Screw, 5/16-18 x 1 1/2..... | 4 |
| 58 | 1-303334 | Washer, 5/16 Disc Spring..... | 4 |
| 59 | 1-800016 | Bolt, Tap 5/16-18 x 1 1/4 | 2 |
| 60▲ | 323-12 | Screw, 3/8-16 x 2 1/2..... | 1 |
| 61 | 3253-5 | Washer, Lock 3/8 Heavy..... | 1 |
| 62 | 1-373034 | Washer, Pivot | 1 |
| 63 | 3231-29 | Screw, 3/8-16 x 1 3/4..... | 1 |
| 64 | 1-806003 | Hairpin, Cotter | 2 |
| 65 | 1-808280 | Clevis Pin | 2 |
| 66 | 3256-23 | Washer, 5/16..... | 11 |
| 67 | 1-403180 | Screw, 5/16-18 x 1-3/8 Special | 2 |
| 68 | 1-603903 | Spacer..... | 1 |
| 69 | 3219-2 | Nut 5/16-24 Regular | 7 |
| 70 | 3220-2 | Nut, 5/16-24 Jam | 2 |
| 71 | 3256-2 | Washer, 1/4..... | 2 |
| 72 | 323-8 | Screw, 3/8-16 x 1 1/2 (ECS)..... | 2 |
| 73 | 322-6 | Screw, 5/16-18 x 1-1/4 | 2 |
| 74 | 1-805005 | Washer, Lock 5/16 Heavy..... | 4 |
| 75▲ | 1-809056 | Screw,3/8 x 3/8 Sckt Hd Shld | 2 |
| 76 | 3256-24 | Washer, 3/8 SAE Flat | 3 |
| 77 | 3234-12 | Screw, Whizlock 3/8-16 x 3/4 | 8 |
| 78 | 1-633630 | Grommet | 2 |
| 79 | 103-1576 | Rod, Drive Lever (ECS)..... | 2 |
| | 1-613189 | Rod, Drive Lever (Pistol Grip) | 2 |
| 80▲ | 1-803022 | Setscrew, 5/16-18 x 5/8..... | 2 |
| 81 | 3272-5 | Cotter Pin | 2 |
| 82 | 1-303335 | Plastic Tie (Large) | 1 |
| 83 | 103-2224 | Shield, Drag | 1 |
| 84 | 3256-3 | Washer, Flat 5/16 Std..... | 3 |
| 85 | 3220-16 | Nut, Jam 3/8-24 LH | 2 |
| 86 | 3128-2 | Nut, Jam 5/16-18..... | 2 |
| 87 | 103-1235 | Swivel..... | 2 |
| 88 | 32151-47 | E-ring | 2 |

Exmark black touch up spray paint – Gloss black.

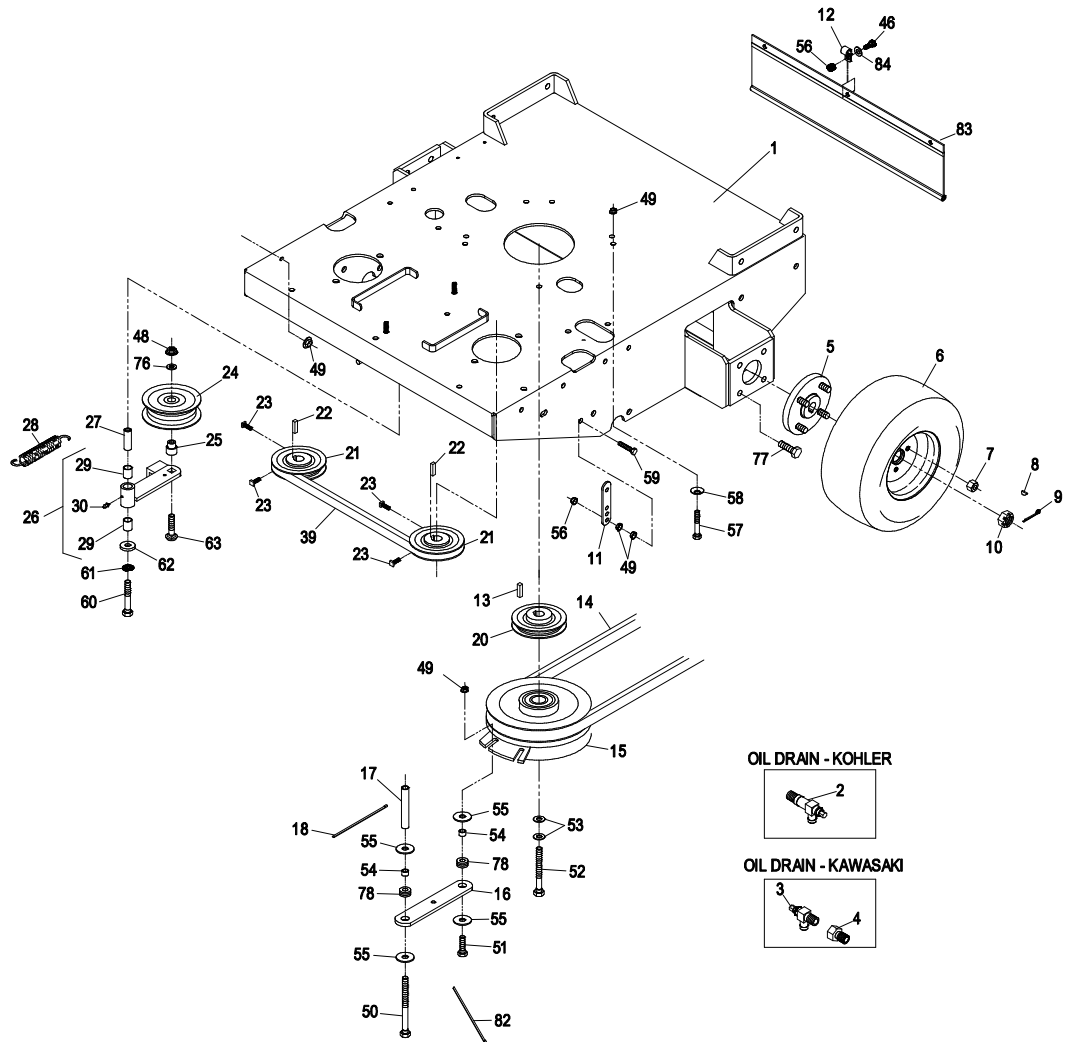
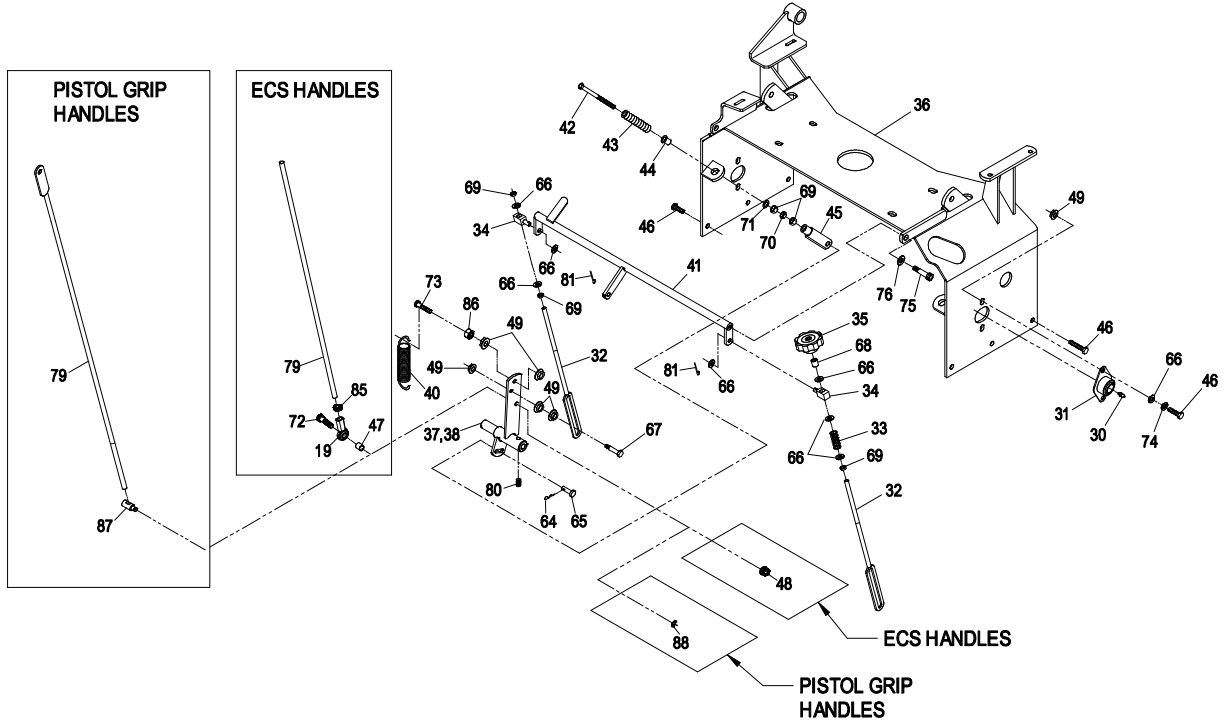
Exmark red touch up spray paint - P/N 1-850337.

* Use Teflon Pipe Sealant or equivalent on threads.

● Install sheave with long end of hub up.

▲ Use Pro-Lock, nut type (P/N 1-840022, .5cc tube) on setscrew threads, shoulder bolt threads, clutch retaining bolt, and pump drive idler bolt.

ENGINE DECK GROUP (cont.)



ECS UPPER HANDLES AND CONTROLS

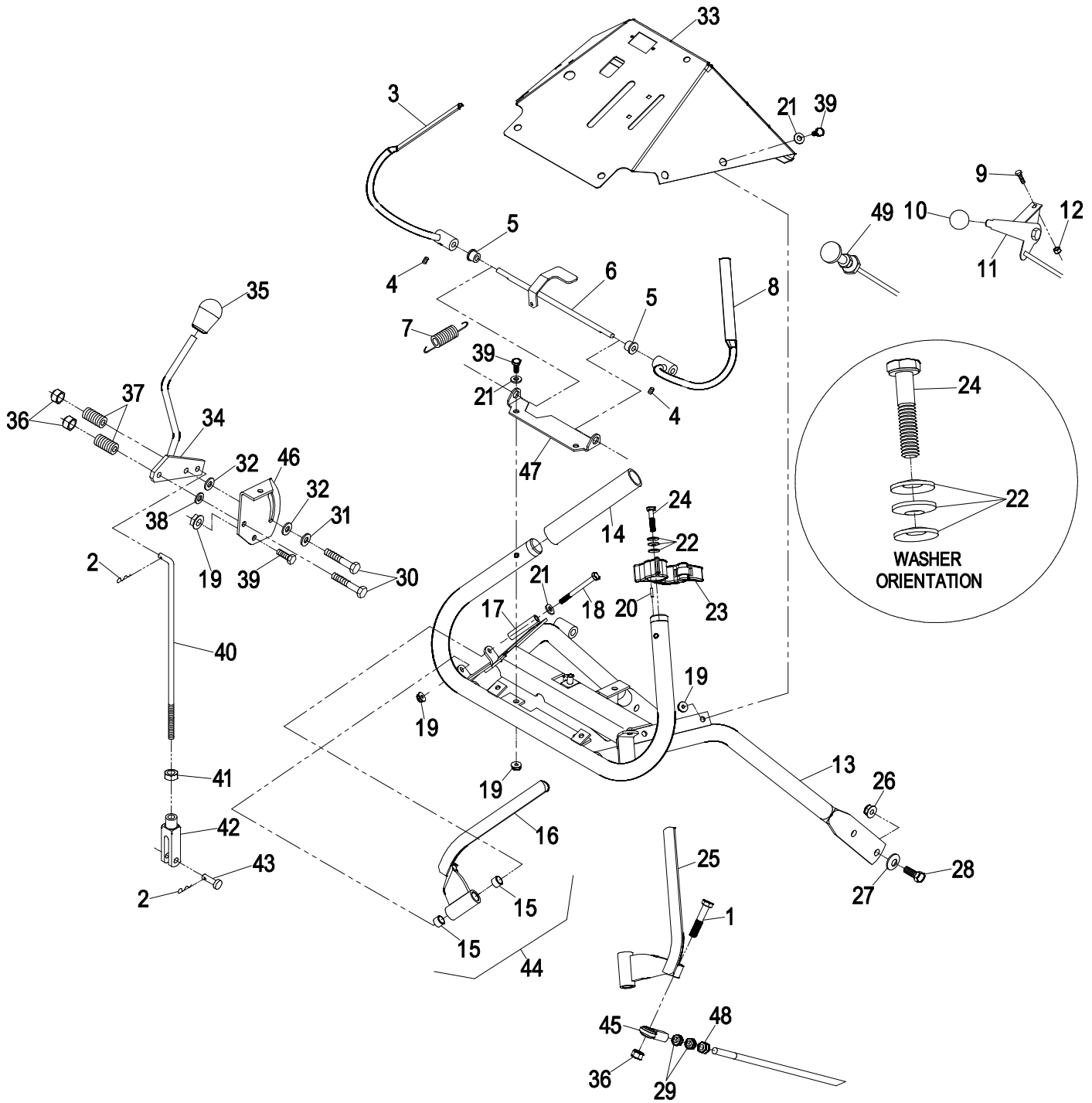
| Item | Part No. | Description | Qty. |
|------|-------------|-------------------------------------|------|
| 1 | 322-9 | Screw, 5/16-18 x 1 3/4..... | 2 |
| 2 | 1-806003 | Hairpin Cotter | 2 |
| 3+ | 103-1566-03 | Lever Weldmt OPC LH | 1 |
| 4◆ | 1-803322 | Setscrew, 5/16-24 x 5/16 | 2 |
| 5 | 1-303365 | Bushing, Nylon | 2 |
| 6 | 103-0769-03 | Lever Axle Weldmt, OPC | 1 |
| 7 | 1-303363 | Spring, OPC Extension | 1 |
| 8+ | 103-1567-03 | Lever Weldmt, OPC RH..... | 1 |
| 9 | 1-807513 | Bolt, #10-24 x 1/2 Carriage | 2 |
| 10 | 1-513592 | Knob, Red Throttle | 1 |
| 11 | 1-633696 | Cable, Throttle | 1 |
| 12 | 3296-2 | Nut, #10-24 Nylock | 2 |
| 13 | 103-1537-03 | Handle Weldmt, Upper ECS | 1 |
| 14 | 103-0815 | Grip, Handle Bar | 2 |
| 15 | 1-413152 | Bearing..... | 4 |
| 16 | 103-2466-03 | Lever, Drive LH..... | 1 |
| 17 | 103-0027 | Bushing, Drive Lever | 2 |
| 18 | 321-14 | Screw, 1/4-20 x 2 3/4..... | 2 |
| 19 | 32128-33 | Nut, 1/4-20 Whizlock..... | 12 |
| 20 | 103-0464 | Pin, 1/8 x 1/2 Spring | 2 |
| 21 | 3256-22 | Washer 1/4 SAE Flat | 10 |
| 22 | 1-303435 | Washer, 1/4 Disc Spring | 6 |
| 23 | 103-1371 | Thumb Latch Asm RH(Shown) | 1 |
| | 103-1372 | Thumb Latch Asm LH (Not Shown)..... | 1 |
| 24◆ | 103-0235 | Screw, 1/4-20 x 1-1/8 W/Nylon | 2 |
| 25 | 103-2465-03 | Lever, Drive RH..... | 1 |

| Item | Part No. | Description | Qty. |
|------|-------------|-------------------------------------|------|
| 26 | 3290-357 | Nut, 3/8-16 Whizlock | 4 |
| 27 | 98-5975 | Washer, 3/8 Disc Spring..... | 4 |
| 28 | 323-6 | Screw, 3/8-16 x 1 | 4 |
| 29 | 3220-3 | Nut, Jam 3/8-24..... | 4 |
| 30 | 322-10 | Screw, 5/16-18 x 2 | 2 |
| 31 | 1-603716 | Washer, Friction Disc | 1 |
| 32 | 1-323244 | Washer, Friction | 2 |
| 33 | 103-1552 | Console 103-1538-03 W/ Decals | 1 |
| 34 | 103-0773 | Speed Shift Weldmt..... | 1 |
| 35 | 103-0423 | Knob .38-16 Nyloc..... | 1 |
| 36 | 3296-29 | Nut, 5/16-18 Nyloc..... | 4 |
| 37 | 1-323245 | Spring, Compression..... | 2 |
| 38 | 3256-23 | Washer 5/16 SAE Flat | 1 |
| 39 | 321-3 | Screw, 1/4-20 x 5/8 | 10 |
| 40 | 1-413225 | Rod, Speed Control..... | 1 |
| 41 | 3220-2 | Nut, 5/16-24 Jam..... | 1 |
| 42 | 1-303105 | Yoke..... | 1 |
| 43 | 1-808280 | Clevis Pin 5/16 x 1..... | 1 |
| 44 | 103-2513 | Asm, Drive Lever RH..... | 1 |
| | 103-2514 | Asm, Drive Lever LH | 1 |
| 45 | 103-2463 | Joint,.31 Ball End | 2 |
| 46 | 103-0503 | Bracket, Shifter Slide..... | 1 |
| 47 | 103-0489-03 | Bracket, OPC Axle | 1 |
| 48 | 3219-3 | Nut, Reg Hex 3/8-24..... | 2 |
| 49 | 1-603336 | Choke Control Push/Pull | 1 |

Exmark black touch up spray paint – Gloss black.

- ◆ Use Pro-Lock nut type, (P/N. 1-840022, .5cc tube) on setscrew threads and thumb latch screw threads.
- + Use Pro-Lock retaining type, (P/N. 1-840023, .5cc tube) on inside of bore of OPC hub.

ECS UPPER HANDLES AND CONTROLS



PISTOL GRIP HANDLES AND CONTROLS

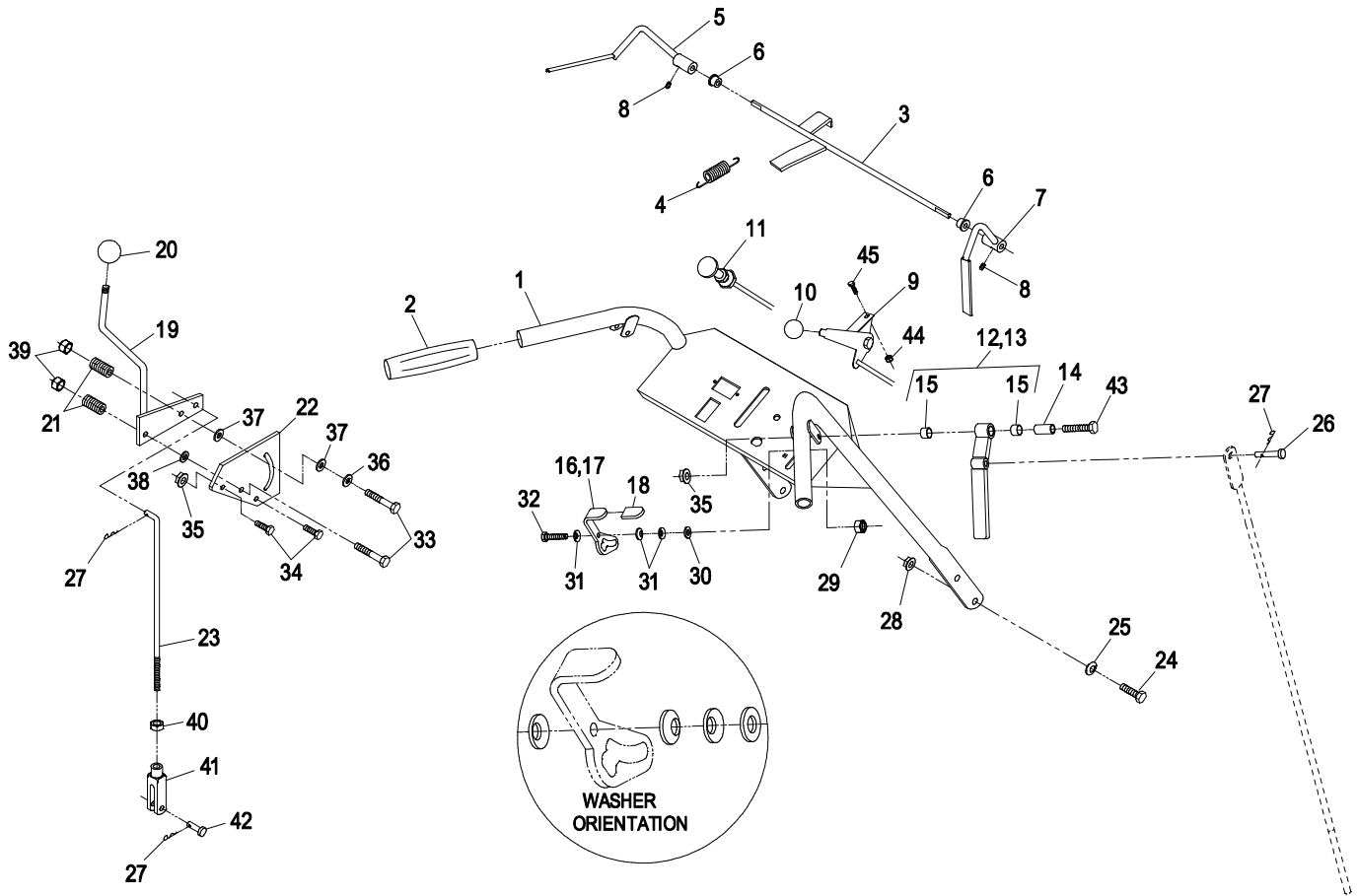
| Item | Part No. | Description | Qty. |
|------|-------------|--|------|
| 1 | 103-0215 | Handle Wldmnt W/Decals | 1 |
| 2 | 1-303097 | Grip, Handle | 2 |
| 3 | 1-612187-01 | Rod Wldmnt, OPC | 1 |
| 4 | 1-303363 | Spring..... | 1 |
| 5+ | 1-412183-03 | Lever Wldmt, OPC LH | 1 |
| 6 | 1-303365 | Bushing, Nylon | 2 |
| 7+ | 1-412185 | Lever Weldmt, OPC RH..... | 1 |
| 8◆ | 1-803322 | Setscrew 5/16-24 x 5/16 | 2 |
| 9 | 1-633696 | Throttle Control..... | 1 |
| | 1-613247 | Throttle Control (KOH)..... | 1 |
| 10 | 1-513592 | Knob, Red Throttle | 1 |
| 11 | 1-603336 | Choke Control Push/Pull..... | 1 |
| 12 | 103-0219 | Asm Drive Lever RH W/Bushing (Shown) | 1 |
| 13 | 103-0218 | Asm Drive Lever LH W/Bushing (Not Shown)..... | 1 |
| 14 | 1-603749 | Bushing, Drive Lever | 2 |
| 15 | 1-413152 | Bearing, Sleeve | 4 |
| 16 | 1-612168 | Latch, Thumb RH W/Grip (Shown)..... | 1 |
| 17 | 1-612167 | Latch, Thumb LH W/Grip | 1 |
| 18 | 1-303019 | Grip, Vinyl Latch | 2 |
| 19 | 106-2748 | Lever, Shifter | 1 |
| 20◆ | 1-603175 | Knob, 1-3/8..... | 1 |
| 21 | 1-323245 | Spring, Compression | 2 |

| Item | Part No. | Description | Qty. |
|------|----------|------------------------------|------|
| 22 | 1-603730 | Plate, Shifter Lever | 1 |
| 23 | 1-603700 | Rod, Speed Control | 1 |
| 24 | 323-6 | Screw, 3/8-16 x 1 | 4 |
| 25 | 98-5975 | Washer, Spring Disk..... | 4 |
| 26 | 1-613055 | Pin, Clevis | 2 |
| 27 | 1-806003 | Hairpin Cotter | 4 |
| 28 | 3290-357 | Nut, Whizlock 3/8-16 | 4 |
| 29 | 3296-42 | Nut, Nylock 1/4-20..... | 2 |
| 30 | 3256-2 | Washer, 1/4 Std Flat..... | 2 |
| 31 | 1-303435 | Washer, 1/4 Disc Spring..... | 6 |
| 32 | 321-10 | Screw, 1/4-20 x 1-3/4 | 2 |
| 33 | 322-10 | Screw, 5/16-18 x 2 | 2 |
| 34 | 321-3 | Screw, 1/4-20 x 5/8 | 2 |
| 35 | 32128-33 | Nut, Whizlock 1/4-20 | 4 |
| 36 | 1-603716 | Washer, Friction | 1 |
| 37 | 1-323244 | Washer, Friction | 2 |
| 38 | 3256-23 | Washer, 5/16 Flat..... | 1 |
| 39 | 3296-29 | Nut, Nylock 5/16-18 | 2 |
| 40 | 3220-2 | Nut, Jam 5/16..... | 1 |
| 41 | 1-303105 | Yoke, Adjustable | 1 |
| 42 | 1-808280 | Pin, Clevis | 1 |
| 43 | 321-9 | Screw, 1/4-20 x 1-1/2 | 2 |
| 44 | 3296-2 | Nut, Nylock 10-24..... | 2 |
| 45 | 1-807513 | Screw, 10-24 x 1/2 | 2 |

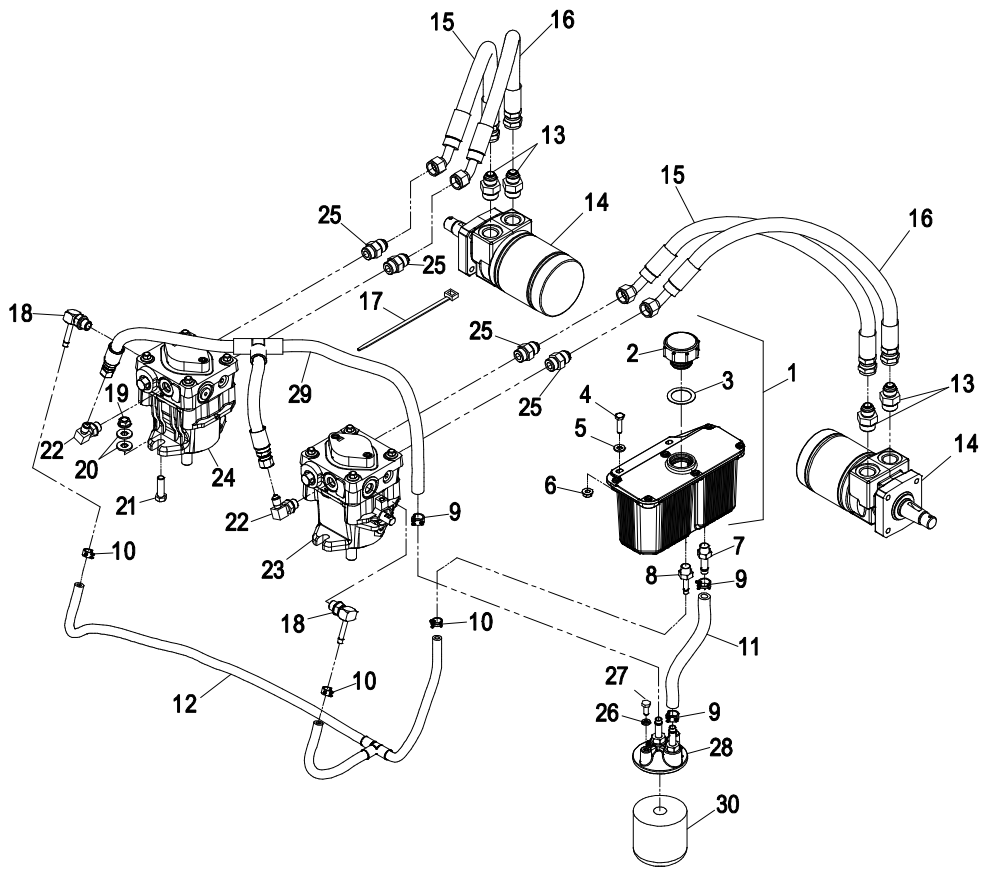
Exmark black touch up spray paint – Gloss black.

- ◆ Use Pro-Lock nut type, (P/N. 1-840022, .5cc tube) on setscrew threads and thumb latch screw threads.
- + Use Pro-Lock retaining type, (P/N. 1-840023, .5cc tube) on inside of bore of OPC hub.

PISTOL GRIP HANDLES AND CONTROLS



HYDRAULICS GROUP



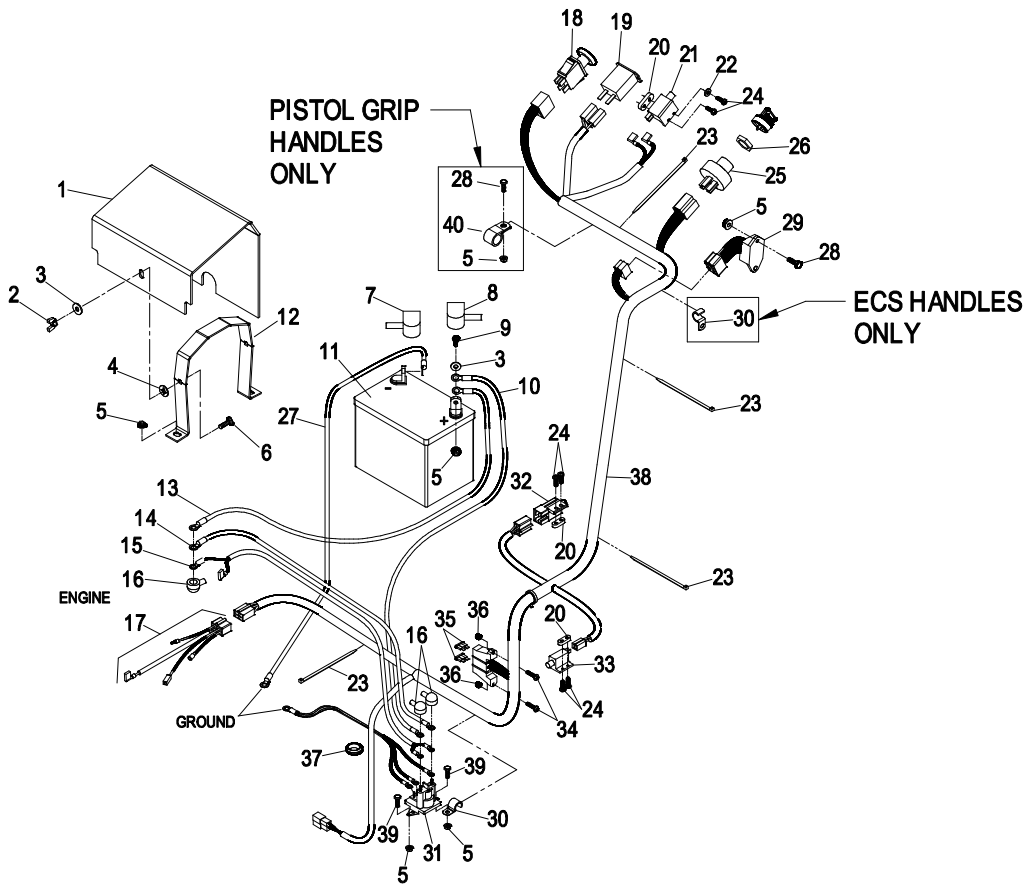
| Item | Part No. | Description | Qty. |
|------|----------|-----------------------------------|------|
| 1 | 103-1947 | Asm, Hydraulic Reservoir | 1 |
| 2 | 103-1948 | Cap, Hydraulic Reservoir | 1 |
| 3 | 103-1949 | Gasket, Reservoir Cap | 1 |
| 4 | 321-6 | Screw, 1/4-20 x 1..... | 2 |
| 5 | 3256-22 | Washer, 1/4 SAE Flat | 2 |
| 6 | 32128-33 | Nut, Whizlock 1/4-20..... | 2 |
| 7 | 103-1912 | Adapter, Straight..... | 1 |
| | 1-603921 | O-Ring..... | 1 |
| 8 | 103-1801 | Adapter, Straight..... | 1 |
| | 1-603921 | O-Ring..... | 1 |
| 9 | 103-1988 | Clamp, Hose (11/16)..... | 3 |
| 10 | 103-1716 | Clamp, Hose (17/32)..... | 3 |
| 11 | 103-2958 | Hose, Charge | 1 |
| 12 | 103-4607 | Asm, Case Drain Hose | 1 |
| 13 | 1-603991 | Fitting, Straight Connector | 4 |
| | 1-603919 | Boss O-Ring..... | 1 |
| | 1-603992 | Flare O-Ring..... | 1 |
| 14 | 1-603718 | Motor, Wheel | 2 |
| | 1-000119 | Kit, Seal..... | 1 |
| | 1-000138 | Kit, Bearing..... | 1 |
| 15 | 103-4609 | Hose, Hydro | 2 |
| 16 | 103-4610 | Hose, Hydro | 2 |
| 17 | 1-303335 | Tie, Cable (Large)..... | 1 |
| 18 | 103-1799 | Elbow, 90° | 2 |
| | 1-603921 | O-Ring..... | 1 |

| Item | Part No. | Description | Qty. |
|------|----------|-----------------------------------|------|
| 19 | 3290-357 | Nut, Whizlock 3/8-16 | 4 |
| 20 | 3256-3 | Washer, 5/16 Std..... | 8 |
| 21 | 323-7 | Screw, 3/8-16 x 1-1/4 | 4 |
| 22 | 103-1802 | Elbow, 90° | 2 |
| | 1-603921 | O-Ring..... | 1 |
| 23 | 103-4611 | Pump, Hydro | 1 |
| | 103-2664 | Kit, Input Shaft 10A | 1 |
| | 94-6922 | Kit, Thrust Bearing 10A | 1 |
| | 103-2666 | Kit, Cylinder Block 10A | 1 |
| | 105-6184 | Kit, Overhaul Seal | 1 |
| 24 | 103-4247 | Pump, Hydro | 1 |
| | 103-2664 | Kit, Input Shaft 10A | 1 |
| | 94-6922 | Kit, Thrust Bearing 10A | 1 |
| | 103-2666 | Kit, Cylinder Block 10A | 1 |
| | 105-6184 | Kit, Overhaul Seal | 1 |
| 25 | 1-603990 | Adapter, Straight Thread | 4 |
| | 1-603920 | Boss O-Ring..... | 1 |
| | 1-603992 | Flare O-Ring..... | 1 |
| 26 | 1-805004 | Washer, 1/4 Lock | 2 |
| 27 | 321-3 | Screw, 1/4-20 x 5/8 | 2 |
| 28 | 103-2889 | Asm, Filter Head..... | 1 |
| 29 | 103-4608 | Asm, Charge Hose | 1 |
| 30 | 1-513211 | Element, Oil Filter..... | 1 |
| ▲ | 1-523541 | Element, Oil Filter(Winter) | 1 |

Exmark black touch up spray paint – Gloss black.

▲ Use only for operation below 32°F (0°C).

ELECTRICAL GROUP



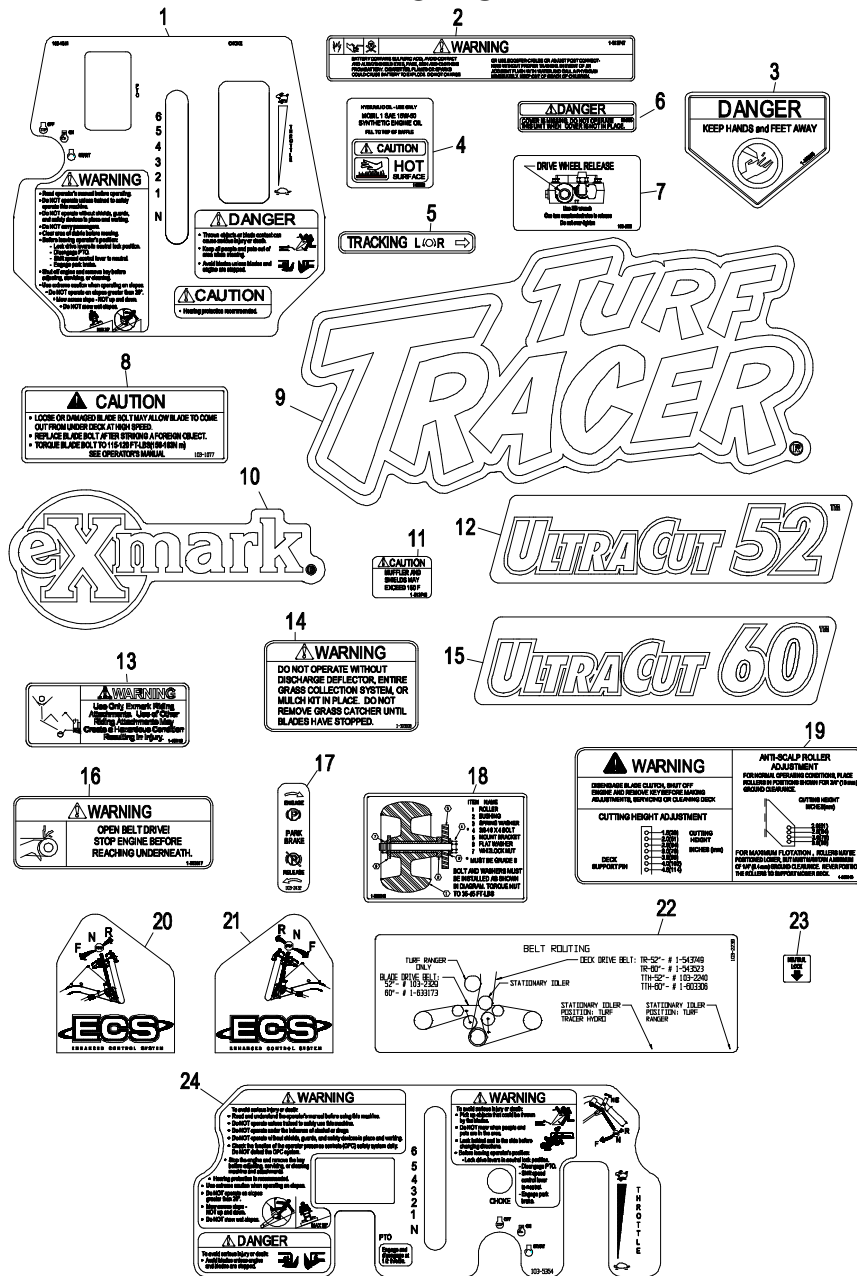
| Item | Part No. | Description | Qty. |
|------|-------------|---|------|
| 1 | 103-3424 | Cover, Battery (1-603105) W/Decal..... | 1 |
| 2 | 1-803038 | Wingnut, 1/4-20..... | 2 |
| 3 | 3256-2 | Washer, 1/4 Flat..... | 4 |
| 4 | 1-803037 | Nut, Retaining 1/4-20..... | 2 |
| 5 | 32128-33 | Nut, Whizlock 1/4-20 (ECS)..... | 7 |
| | 32128-33 | Nut, Whizlock 1/4-20 (Pistol Grip)..... | 8 |
| 6 | 1-807512 | Bolt, Carriage 1/4-20 x 3/4..... | 2 |
| 7 | 1-543390 | Insulator, Battery -..... | 1 |
| 8 | 1-543391 | Insulator, Battery +..... | 1 |
| 9 | 321-4 | Screw, 1/4-20 x 3/4..... | 2 |
| 10▲ | 1-513053 | Cable, Battery To Solenoid (+)..... | 1 |
| 11 | 103-0293 | Battery, 12V Manifold..... | 1 |
| 12 | 1-603814-03 | Strap, Battery Holddown..... | 1 |
| 13* | 1-523281 | Cable, Battery To Starter..... | 1 |
| 14▲ | 1-603488 | Cable, Solenoid To Starter (+)..... | 1 |
| 15* | 103-1126 | Harness, Solenoid To Starter..... | 1 |
| 16 | 1-543393 | Insulator, Solenoid..... | 3 |
| 17▲ | 1-613262 | Harness, Wiring..... | 1 |
| 18 | 1-633673 | Switch, PTO..... | 1 |
| 19 | 1-513374 | Meter, Engine Hour..... | 1 |
| 20 | 1-633181 | Plate, Tapped..... | 3 |
| 21 | 1-513051 | Switch, N.O..... | 1 |
| 22 | 3256-14 | Washer, Flat #10 (ECS Only)..... | 1 |
| 23 | 1-303335 | Plastic Tie (ECS)..... | 4 |

| Item | Part No. | Description | Qty. |
|------|----------|--|------|
| | 1-303335 | Plastic Tie (Pistol Grip)..... | 3 |
| 24 | 3290-500 | Screw, #10-24 x 5/8..... | 6 |
| 25 | 1-543070 | Switch, Ignition W/Keys..... | 1 |
| | 1-603511 | Key, Ignition..... | 1 |
| | 103-2106 | Key, Exmark Logo..... | 1 |
| 26 | 103-0498 | Nut, Ignition..... | 1 |
| 27 | 1-543767 | Cable, Ground..... | 1 |
| 28 | 321-3 | Screw, 1/4-20 x 5/8 (ECS)..... | 1 |
| | 321-3 | Screw, 1/4-20 x 5/8 (Pistol Grip)..... | 2 |
| 29 | 1-613198 | Module, Safety Interlock..... | 1 |
| 30 | 103-1193 | Clip, Loom Half (ECS)..... | 2 |
| | 103-1193 | Clip, Loom Half (Pistol Grip)..... | 1 |
| 31 | 1-513075 | Switch, 12V Solenoid..... | 1 |
| 32 | 1-633111 | Switch, N.O./N.C..... | 1 |
| 33 | 1-513152 | Switch, N.C..... | 1 |
| 34 | 1-803075 | Screw, #10-24 x 3/4..... | 2 |
| 35 | 1-816001 | Fuse, Blade 20 Amp..... | 2 |
| 36 | 3296-2 | Nut, Nyloc #10-24..... | 2 |
| 37 | 1-543286 | Grommet..... | 1 |
| 38 | 103-1540 | Harness, Wiring (ECS)..... | 1 |
| | 103-5380 | Harness, Wiring (Pistol Grip)..... | 1 |
| 39 | 321-2 | Screw, 1/4-20 x 1/2..... | 2 |
| 40 | 1-513762 | Clip, Loom (Pistol Grip Only)..... | 1 |

Exmark black touch up spray paint – Gloss black.
Apply dielectric grease to all electrical connectors.

- * Kohler units only.
- ▲ Kawasaki units only.

DECALS

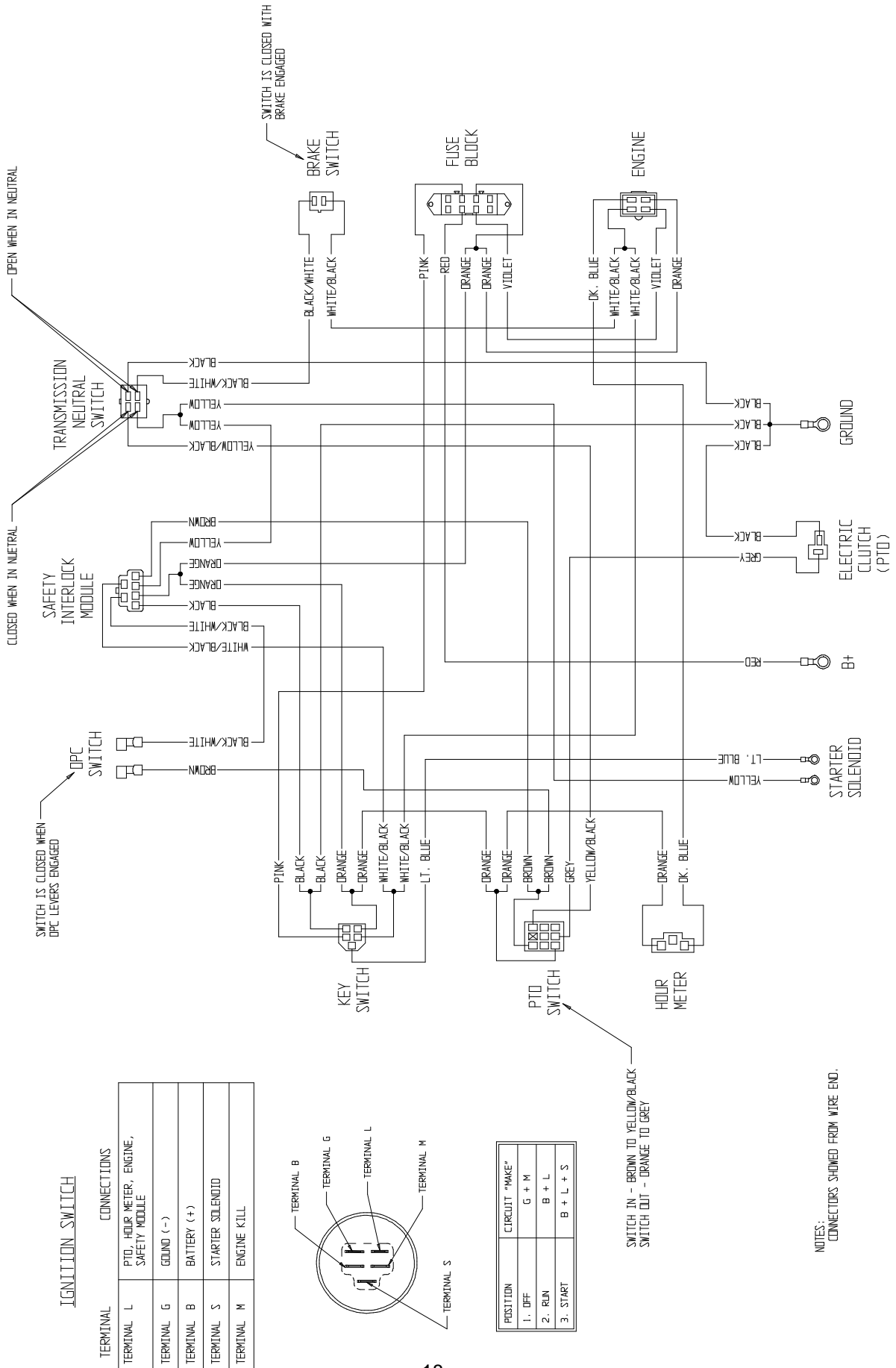


| Item | Part No. | Description | Qty. |
|------|----------|----------------------------------|------|
| 1+ | 103-1541 | Decal, Console ECS | 1 |
| 2 | 1-513747 | Decal, Battery | 1 |
| 3 | 1-403005 | Danger Label | 2 |
| 4 | 1-523552 | Decal, Hydraulic Tank | 1 |
| 5 | 1-413214 | Decal, Tracking | 1 |
| 6 | 98-5954 | Decal, Missing Cover | 3 |
| 7 | 103-4935 | Decal, Drive Wheel Release | 1 |
| 8 | 103-1077 | Decal, Bolt Torque | 1 |
| 9 | 103-3013 | Decal, Turf Tracer | 1 |
| 10 | 103-2882 | Decal, Exmark logo | 1 |
| 11 | 1-513746 | Decal, Muffler | 1 |
| 12 | 103-1145 | Decal, Ultracut 52 | 1 |
| 13 | 1-403143 | Decal, Sulky Warning | 1 |

| Item | Part No. | Description | Qty. |
|------|----------|---------------------------------|------|
| 14 | 1-303508 | Decal, Discharge Warning | 1 |
| 15 | 103-1146 | Decal, Ultracut 60 | 1 |
| 16 | 1-303517 | Decal, Belt Drive | 1 |
| 17 | 103-2432 | Decal, Park Brake | 1 |
| 18 | 1-323540 | Decal, Roller Mounting | 1 |
| 19 | 1-553049 | Decal, Mower Deck | 1 |
| 20+ | 103-2242 | Decal, LH ECS Instruction | 1 |
| 21+ | 103-2243 | Decal, RH ECS Instruction | 1 |
| 22 | 103-2239 | Decal, Belt Route | 1 |
| 23◆ | 1-303102 | Decal, Neutral Lock | 2 |
| 24◆ | 103-5354 | Decal, Console | 1 |
| | 103-5828 | Kit, Decal Complete | |

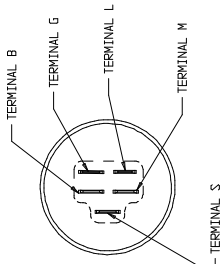
- + Decal for ECS handles only.
- ◆ Decal for pistol grip handles only.

ELECTRICAL DIAGRAM



IGNITION SWITCH

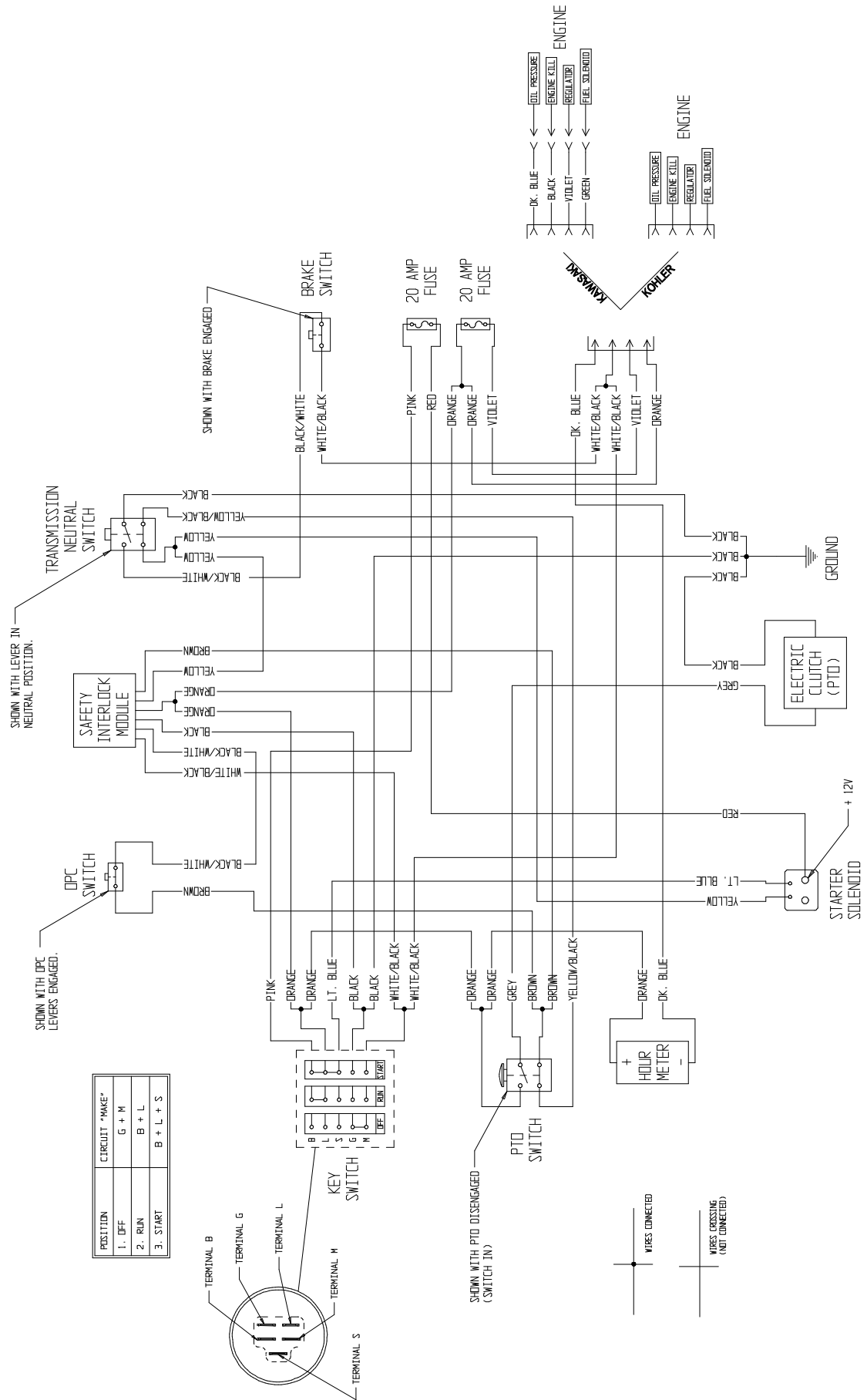
| TERMINAL | CONNECTIONS |
|------------|--|
| TERMINAL L | PTD, HOUR METER, ENGINE, SAFETY MODULE |
| TERMINAL G | GROUND (-) |
| TERMINAL B | BATTERY (+) |
| TERMINAL S | STARTER SOLENOID |
| TERMINAL M | ENGINE KILL |



| POSITION | CIRCUIT "MAKE" |
|----------|----------------|
| 1. OFF | G + M |
| 2. RUN | B + L |
| 3. START | B + L + S |

NOTES:
CONNECTORS SHOWN FROM WIRE END.

ELECTRICAL LOGIC SCHEMATIC



NOTES

NOTES

**SEE EXMARK'S COMPLETE
LINE OF PRODUCTS FOR TURF CARE**

LAZER Z[®]

LAZER Z[®] HP

LAZER Z[®] XP

LAZER Z[®] CT

TURF RANGER[®]

VIKING HYDRO

TURF TRACER[®]

TURF TRACER[®] HP

METRO[®]

METRO[®] HP

ULTRA VAC[™]

ULTRA VAC[™] QDS

GRASS CATCHER

MICRO-MULCH[™] ACCESSORY

SELF STEERING SULKY

©1997 - 2003
EXMARK MFG. CO. INC.
INDUSTRIAL PARK BOX 808
BEATRICE, NE 68310
ALL RIGHTS RESERVED

PART NO. 103-4868
(402) 223-6300
FAX (402) 223-5489
PRINTED IN U.S.A.

