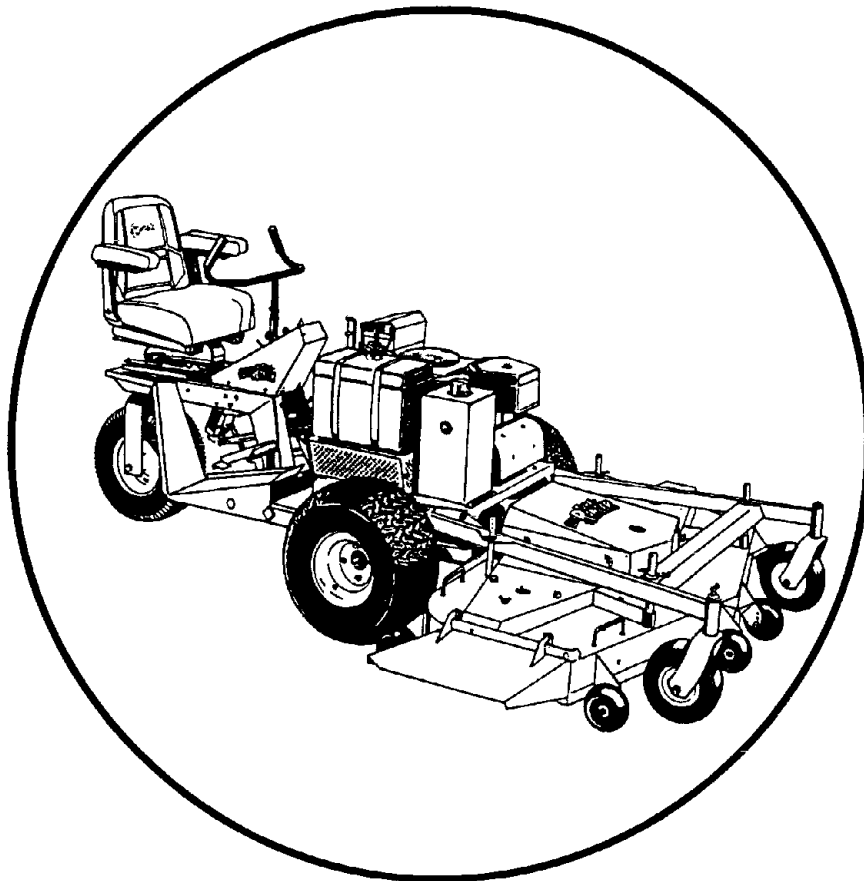




For Serial Nos.
130,000 and Higher

TURF RANGER



Parts Manual

CONGRATULATIONS on the purchase of your new Exmark mower. This product has been carefully designed and manufactured to give you a maximum amount of dependability and years of trouble-free operation.

If additional information is needed, or should you require trained mechanic service, contact your authorized Exmark equipment dealer or distributor.

If you need to order replacement parts from your dealer, always give the model number and serial number of your mower as well as the part number, description and quantity of the part needed.

The Serial No. plate is located on the right hand rear surface of the engine deck below the fuel tank and for the deck is on front support pin gusset on right hand side of deck.

For ease of ordering and reference, we suggest that you record the information requested in the following identification table.

Tractor Model No. _____

Tractor Serial No. _____

Deck Model No. _____

Deck Serial No. _____

Date Purchased _____

Purchased From _____

Paste Label From
Literature Packet Here

EXMARK PARTS PLUS® PROGRAM

EFFECTIVE DATE: September 1, 1995

Program

If your Exmark dealer does not have the Exmark part in stock, Exmark will get the parts to the dealer the next business day or the part will be FREE* Guaranteed!!

How the Program Works

1. If dealer does not have part in stock for a "down" unit at the time of request by customer, the dealer contacts his distributor by 1:00 p.m., local time, and requests Exmark Parts Plus® shipment of six (6) line items or less.
2. Distributor ships part(s) to dealer or customer, as requested by dealer, same day, overnight UPS Distributor bills dealer for part and freight charges where applicable.
3. If distributor does not have the part(s) in stock to satisfy Exmark Parts Plus® order, he contacts Exmark by 3:00 p.m., central time, with an Exmark Parts Plus® order of six (6) line items or less.
4. If order is received by 3:00 p.m. central time, Exmark ships part(s) direct to dealer or customer, as requested by distributor, same day, overnight UPS Exmark bills the distributor for parts and shipping charges, where applicable.
5. The customer pays for the part and freight if it is shipped under the Exmark Parts Plus® and if it arrive in accordance to the program.
6. Who pays for the part and freight if it fails to arrive overnight in accordance to the program?
 - A. Under any circumstance the customer does not pay.
 - B. If the part does not arrive overnight due to:
 1. The dealer not submitting the Exmark Parts Plus® order to his Exmark distributor by 1:00 p.m., the dealer pays for the part and freight.
 2. The Distributor being unable to ship the part the same day or not submitting the Exmark Parts Plus® order to Exmark by 3:00 p.m., central time, the Distributor pays for the part and freight.
 3. Exmark being unable to ship the part and the Exmark parts order is received by 3:00 p.m., central time, - Exmark pays for the part and freight.
 4. If the part does not arrive overnight due to the shipper (UPS), the shipper pays for the freight and Exmark pays for the part.



The following restrictions apply – The Exmark Parts Plus® Program is available only through participating Exmark Dealers and applies only to orders submitted on this program Monday through Thursday. UPS has initiated a Saturday delivery program to many areas of the continental United States and can be requested for an overnight shipment on Friday to be delivered Saturday. The next day air charge, plus the Saturday delivery fee will be the responsibility of the purchaser. Exmark Mfg. will assume no responsibility for Saturday delivery shipments. To qualify, all Exmark Parts Plus® orders must be received by Exmark by 3:00 p.m., central time. Orders must be six (6) line items or less. Exclusions from the Exmark Parts Plus® Program are: Any wholegood or accessory in its entirety, engines and engine replacement parts, 5-speed Peerless transmissions and 5-speed transaxles, hydraulic or hydrostatic wheel motors, cutter decks and engine decks or any item exceeding United Parcel Service size and weight restrictions.

Due to UPS restrictions, aerosol spray paint is considered a hazardous material and cannot be shipped via UPS next day or Second Day Air.

Exmark Manufacturing stocks a limited supply of parts for transaxles, pumps and wheel motors. These parts can be ordered for Next Day Air shipment but will not be guaranteed per the Parts Plus Program.



**READ OPERATOR'S MANUAL BEFORE
OPERATING OR SERVICING EXMARK EQUIPMENT.**

TABLE OF CONTENTS

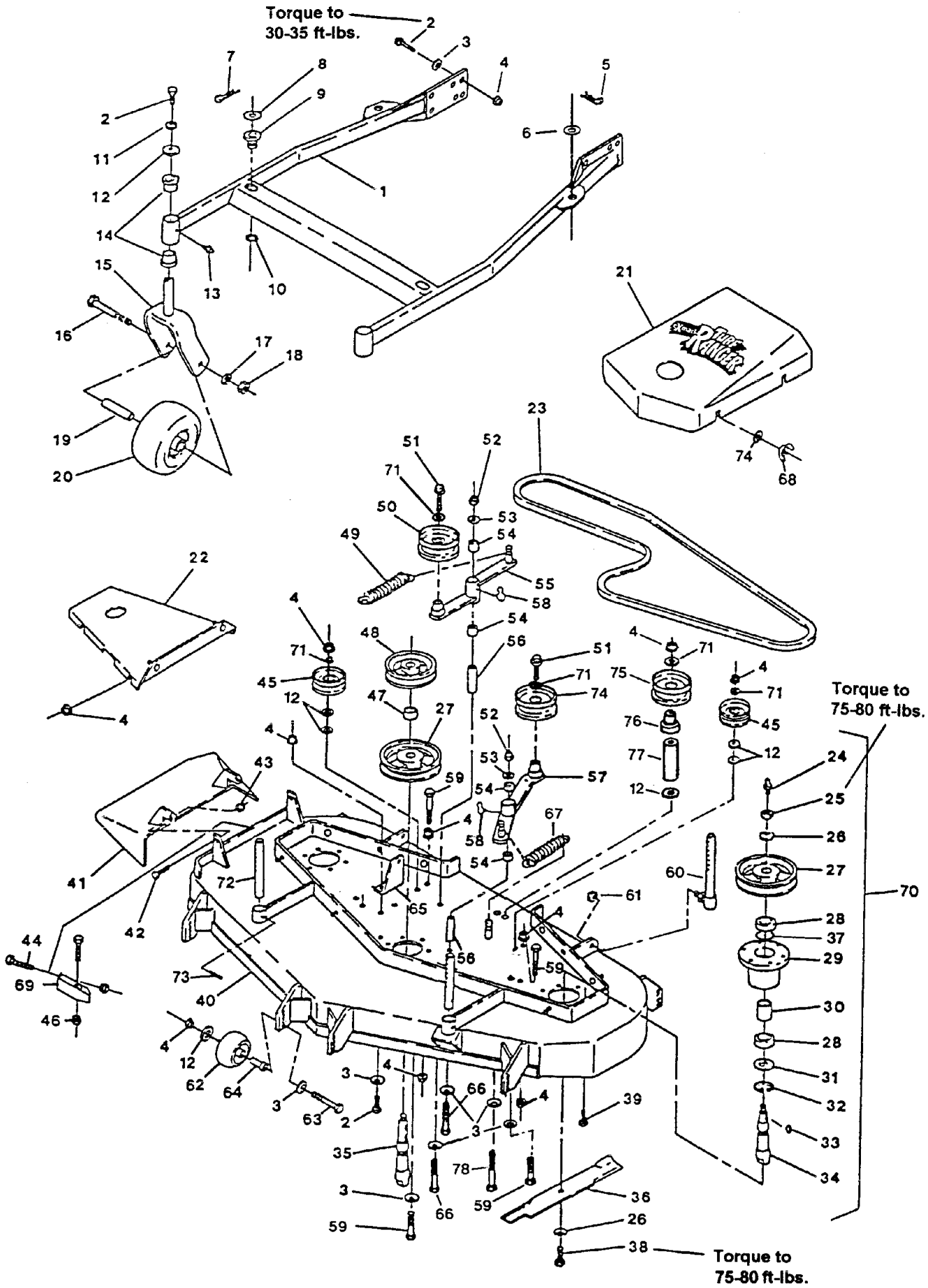
<u>Description</u>	<u>Page</u>
Axles and Hydraulics.....	7
Decals	17
Electrical Diagram	16
Electrical Group.....	14 - 15
Engine Deck Group	10 - 11
52" Mower Deck	2 - 3
Motion Controls	8
Parking Brake.....	9
Rider Frame and Steering	12 - 13
Seat assembly and Lift Actuator.....	6
60" Mower Deck	4 - 5

52" MOWER DECK

Torque to
30-35 ft-lbs.

Torque to
75-80 ft-lbs.

Torque to
75-80 ft-lbs.



52" MOWER DECK

Ref. No.	Part No.	Description	Qty. Req'd.	Ref. No.	Part No.	Description	Qty. Req'd.
1	604960	Support, deck 612092 w/ bushings & decals	1	39	809035	Bolt, taptite 3/8-16 x 1	18
2	800292	Capscrew, 3/8-16 x 1	11	40*	612155	Deck, 612153 with decals, support rods & dogleg baffle	1
3◇	303327	Washer, disc spring 3/8	20	41	602571	Chute, discharge	1
4◇	809007	Nut, whizlock 3/8-16	30	42	800273	Capscrew, 5/16-18 x 1	2
5	806006	Hairpin, 5/8	2	43	804256	Nut, nylock 5/16-18	2
6	303164	Spacer, blade driver	2	44	800270	Capscrew, 5/16-18 x 5/8	6
7	806007	Hairpin, 7/8	2	45	303516	Pulley, V-Idler	2
8	513338	Washer	2	46	809001	Nut, whizlock 5/16-18	6
9	513336	Bushing, deck support	2	47	603504	Spacer, tube	1
10	808507	Ring, retaining (external)	2	48	603581	Sheave, mower drive	1
11	805006	Washer, lock 3/8 hvy spring	2	49	603413	Spring, extension	1
12◇	373034	Washer, pivot	13	50	603497	Pulley, idler	1
13	811001	Zerk, 1/8 NPT (straight)	2	51	803016	Screw, whizlock 3/8-16 x 1	2
14	303514	Bearing, flange thrust	4	52	804257	Nut, nylock 3/8-16	2
15	522143	Fork, caster	2	53	805260	Washer, 3/8	2
16	800334	Capscrew, 1/2-13 x 6	2	54	513034	Bearing, pivot	4
17	805008	Washer, lock 1/2	2	55	602604	Idler arm assy w/bearings	1
18	804509	Nut, 1/2-13	2		602591	Arm, deck idler	1
19	513547	Spacer, front caster	2	56	603384	Bushing, idler pivot	2
20	513648	Tire/wheel assy, 9 x 3.50-4	2	57	602865	Idler arm, w/bearings deck drive	1
	513807	Wheel	2		602867	Arm, deck drive idler	1
	513808	Tire 9 x 3.50-4	2	58	811008	Zerk, 1/4-28 (90°)	2
	513809	Bearing	2	59	800297	Capscrew, 3/8-16 x 2-1/4	4
	513810	Bushing	4	60	603540	Link, rear deck support	2
21	542300	Cover with decal, (deck drive belt)	1	61	803031	Nut, torque 3/8-24	2
22	602545	Cover, deck	2	62	603299	Roller, anti scalp	6
23	603576	Belt, blade drive	1	63	800807	Capscrew, 3/8-16 x 4	6
24	811006	Zerk, 1/4-28 (straight)	3	64	603602	Bushing, roller	6
25	804510	Nut, 5/8-18 UNF	3	65	603620	Bracket, spring anchor	1
26	513208	Spring, disk	6	66	800805	Capscrew, 3/8-16 x 3 1/2	2
27	513207	Sheave, blade drive	3	67	603414	Spring, extension	1
28	303543	Bearing, ball	6	68	543678	Wingnut, nylock	4
29	413314	Housing, bearing	3	69	602913	Baffle	1
30	513188	Spacer, bearing	3	70	614154	Housing, cutter complete (center)	1
31	513193	Seal, dust	3		614145	Housing, cutter complete (outer)	2
32	808506	Snap ring, 2.59 x 08TK	3	71◇	805259	Washer, 3/8 SAE	9
33	807006	Key, woodruff #61	4	72	603001	Rod, deck support	2
34	613106	Spindle, outer blade	2	73	806332	Roll pin, 1/4 x 1-1/2	2
35	613107	Spindle, center blade	1	74	613098	Pulley, flat idler	1
36	633482	Blade, 18" diameter	3	75◇	603805	Idler	1
	633485	Blade, low lift	3	76◇	513791	Bushing	1
+	633484	Blade, mulching	3	77◇	603494	Spacer	1
37	303542	O-ring	3	78◇	800302	Capscrew, 3/8-16 x 4	1
38	800340	Capscrew, 5/8-11 x 1 (RH)	3				

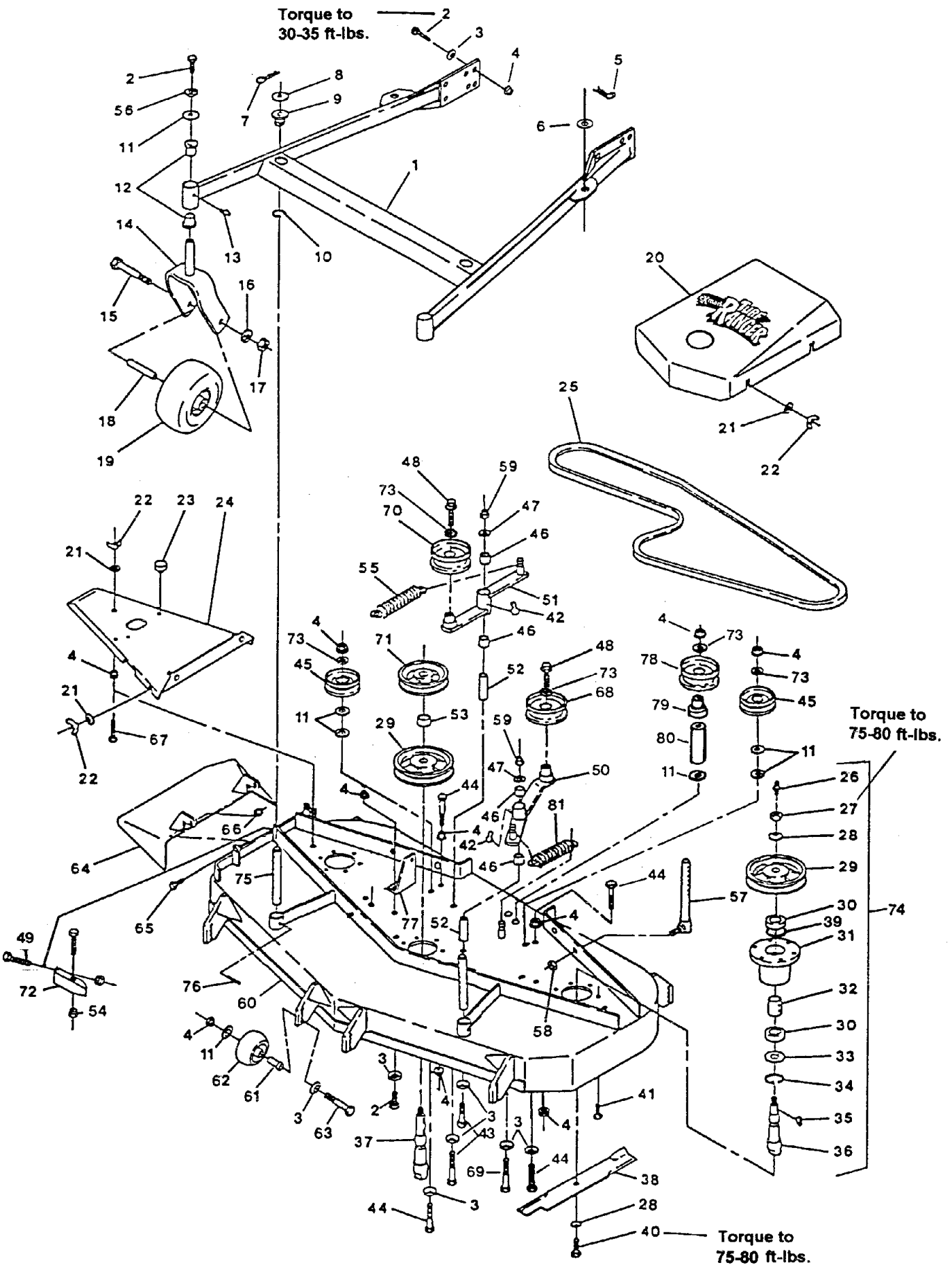
◇ These parts are available in an Idler Pulley Kit (Part No. 601806). Each kit contains one item each of the referenced item number.

† Requires installation of Micro-Mulch accessory for proper mulching. Mulch kit P/N MK523.
Exmark red touch up spray paint - P/N 850337

* Deck weldmt does include welded in flow control baffles

60" MOWER DECK

Torque to
30-35 ft-lbs.



60" MOWER DECK

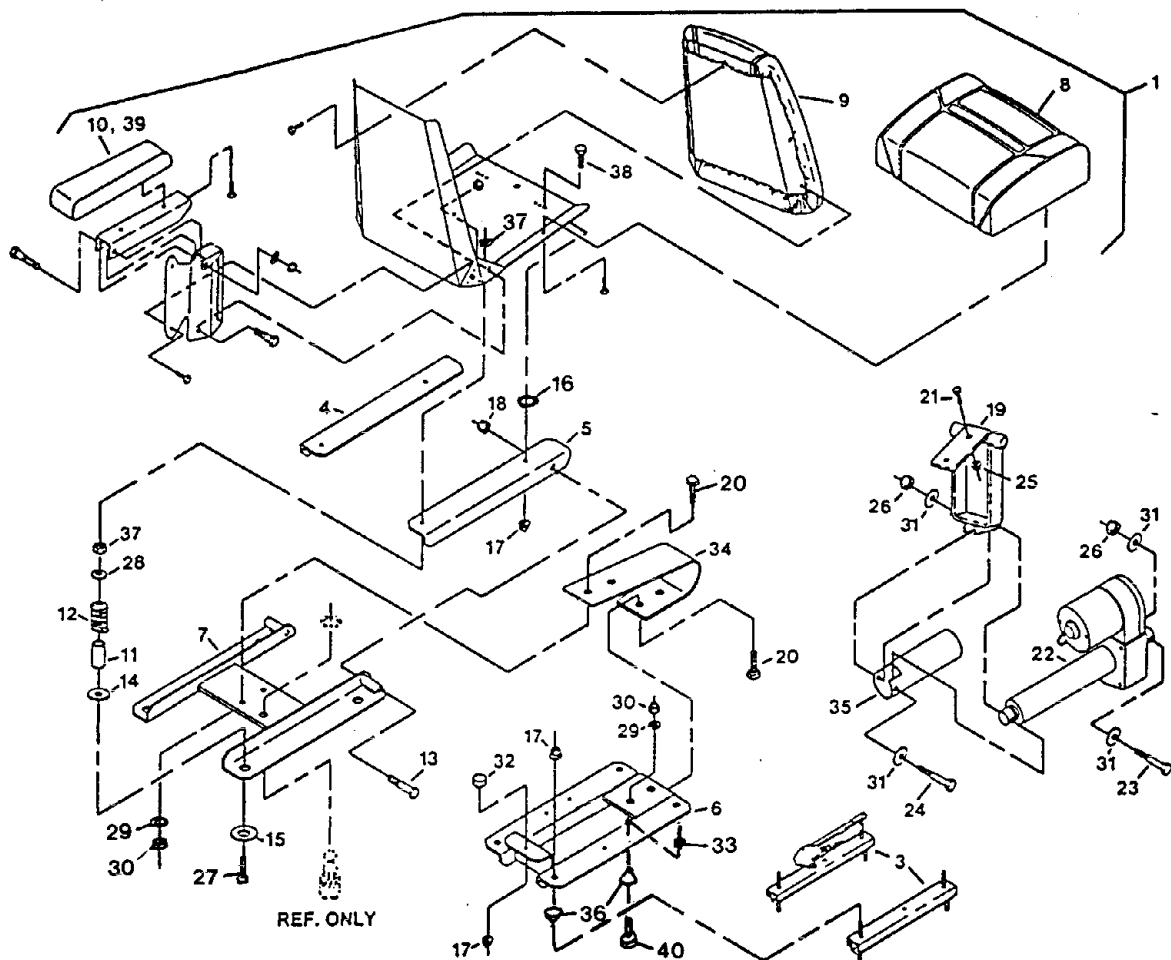
Ref. No.	Part No.	Description	Qty. Req'd.	Ref. No.	Part No.	Description	Qty. Req'd.
1	604847	Support, deck 612094 w/ bushings & decals.....	1	40	800340	Capscrew, 5/8-11 x 1 (RH).....	3
2	800292	Capscrew, 3/8-16 x 1	9	41	809035	Bolt, taptite 3/8-16 x 1	18
3◇	303327	Washer, disc spring 3/8.....	20	42	811008	Zerk, 1/4-28 (90°).....	2
4◇	809007	Nut, whizlock 3/8-16.....	30	43	800805	Capscrew, 3/8-16 x 3.5.....	2
5	806006	Hairpin, 5/8.....	2	44	800297	Capscrew, 3/8-16 x 2-1/4.....	4
6	303164	Spacer, blade driver.....	2	45	303516	Pulley, V-idler.....	2
7	806007	Hairpin, 7/8.....	2	46	513034	Bearing, pivot.....	4
8	513338	Washer.....	2	47	805260	Washer, 3/8 stdn flat.....	2
9	513336	Bushing, deck support.....	2	48	803016	Bolt, whizlock 3/8-16 x 1.....	2
10	808507	Ring, retaining (external).....	2	49	800270	Capscrew, 5/16-18 x 5/8.....	6
11◇	373034	Washer, pivot.....	13	50	602867	Arm, deck drive idler.....	1
12	303514	Bearing, flange thrust.....	4		602865	Idler arm assy, deck drive (with bearings).....	1
13	811001	Zerk, 1/8 NPT (straight).....	2	51	602591	Arm, deck idler.....	1
14	522143	Fork, caster.....	2		602604	Idler arm, w/bearings.....	1
15	800334	Capscrew, 1/2-13 x 6.....	2	52	603384	Bushing, idler pivot.....	2
16	805008	Washer, lock 1/2.....	2	53	603504	Spacer, tube.....	1
17	804509	Nut, 1/2-13.....	2	54	809001	Nut, whizlock 5/16-18.....	6
18	513547	Spacer, front caster.....	2	55	603413	Spring, extension.....	1
19	513648	Tire/whl assy, 9 x 3.50-4.....	2	56	805006	Washer, lock 3/8 (hvy spring)..	2
	513807	Wheel.....	2	57	603540	Link, rear deck support.....	2
	513808	Tire 9 x 3.50-4.....	2	58	803031	Nut, torque 3/8-24.....	2
	513809	Bearing.....	2	59	804257	Nut, nylock 3/8-16.....	2
	513810	Bushing.....	4	60*	612149	Deck, 612120 with decals, support rods & dogleg baffle ...	1
20	542301	Cover w/decals (deck drv belt).	1	61	603602	Bushing, roller.....	6
21	805259	Washer, 3/8.....	10	62	603299	Roller, anti scalp.....	6
22	543678	Wingnut, nylon insert.....	10	63	800807	Capscrew, 3/8-16 x 4 (Gr 8)....	6
23	513291	Bumper, seat.....	2	64	542606	Chute, discharge.....	1
24	542588	Cover, deck.....	2	65	800273	Capscrew, 5/16-18 x 1.....	2
25	603045	Belt, blade drive.....	1	66	804256	Nut, nylock 5/16-18.....	2
26	811006	Zerk, 1/4-28 (straight).....	3	67	800031	Tapbolt, 3/8-16 x 2 3/4.....	2
27	804510	Nut, 5/8-18 UNF.....	3	68	613098	Pulley, flat idler.....	1
28	513208	Washer, disc spring.....	6	69◇	800302	Capscrew, 3/8-16 x 4 (Gr 5)....	1
29	513207	Sheave, blade drive.....	3	70	603497	Pulley, idler.....	1
30	303543	Bearing, ball.....	6	71	613024	Sheave, mower drive.....	1
31	413314	Bearing, housing.....	3	72	602913	Baffle.....	1
32	513188	Spacer, bearing.....	3	73◇	805259	Washer, 3/8 SAE.....	5
33	513193	Seal, dust.....	3	74	614145	Cutter housing, (outer, cmplt)..	2
34	808506	Snap ring, 2.59 x 08TK.....	3		614146	Cutter housing, (cntr, cmplt) ...	1
35	807006	Key, woodruff 5/8 x 3/16.....	4	75	603001	Rod, deck support.....	2
36	613106	Spindle, outer blade.....	2	76	806332	Roll pin, 1/4 x 1-1/2.....	2
37	613107	Spindle, center blade.....	1	77	603620	Bracket, spring anchor.....	1
38	633483	Blade, 20 1/2" diameter.....	3	78◇	603805	Idler.....	1
	613111	Blade, low lift.....	3	79◇	513791	Bushing.....	1
‡	613112	Blade, mulching.....	3	80◇	603494	Spacer.....	1
39	303542	O-ring.....	3	81	603414	Spring, extension.....	1

◇ These parts are available in an Idler Pulley Kit (Part No. 601806). Each kit contains one item each of the referenced item number.

‡ Requires installation of Micro-Mulch accessory for proper mulching. Mulch kit P/N MK603.
Exmark red touch up spray paint - P/N 850337

* Deck weldmt does include welded in flow control baffles

SEAT ASSEMBLY and LIFT ACTUATOR

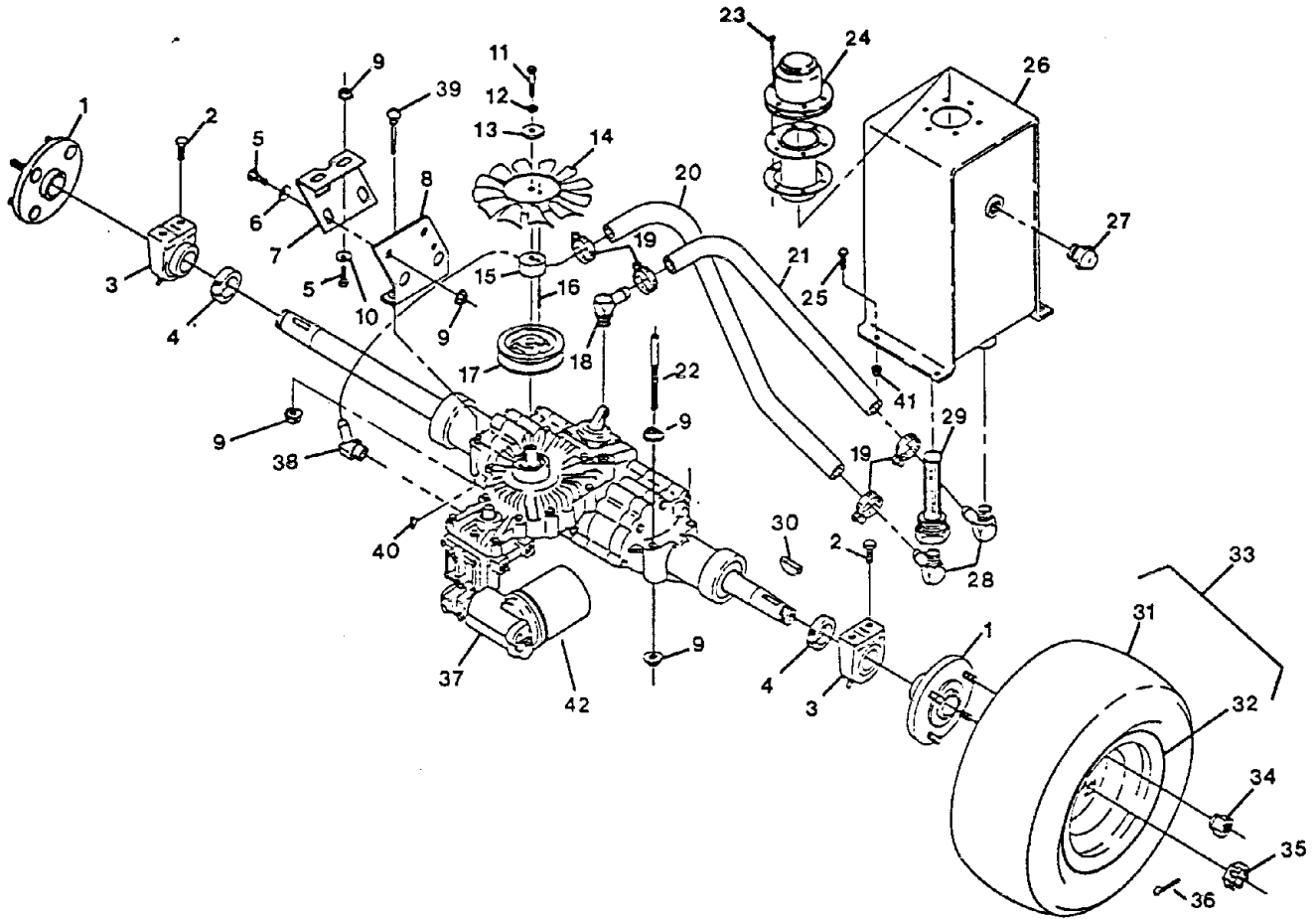


Ref. No.	Part No.	Description	Qty. Req'd.	Ref. No.	Part No.	Description	Qty. Req'd.
1	633461	Seat complete /w armrests.....	1	21	800292	Screw, 3/8-16 x 1.....	2
2	543406	Kit, armrest.....	1	22	543241	Actuator, linear.....	1
3	543357	Seat track, adjustable (6").....	1	23	800825	Screw, 7/16-20 x 5.....	1
4	543319	Rail, seat (LH).....	1	24	800820	Screw, 7/16-20 x 3.....	1
5	543321	Rail, seat (RH).....	1	25	809007	Nut, flange 3/8-16.....	2
6	542307	Base rail, seat.....	1	26	804263	Nut, nylock 7/16-20.....	2
7	542315	Seat rail wldmnt.....	1	27	800015	Tap bolt, 5/16-18 x 2 1/2.....	2
8	543407	Cushion, seat.....	1	28	805258	Washer, 5/16.....	2
9	543408	Cushion, back rest.....	1	29	805008	Washer, lock 1/2.....	4
10	543409	Pad, arm rest (RH).....	1	30	804509	Nut, nylock 1/2-13.....	4
11	513479	Bushing, spring guide.....	2	31	805261	Washer, 7/16.....	4
12	513296	Spring.....	2	32	543963	Bumper, rubber.....	1
13	800338	Screw, 1/2-13 x 3 1/4.....	2	33	804256	Nut, nylock 5-16-18.....	2
14	805264	Washer, 1/2.....	2	34	543356	Spring, seat (TR).....	1
15	213069	Strut, adjustment spacer.....	2	35	543834	Guard, actuator.....	1
16	805260	Flatwasher, 3/8 std.....	1	36	543401	Spacer, track.....	6
17	809001	Nut, whizlock 5/16-18.....	9	37	804506	Nut, 5/16-18.....	2
18	804265	Nut, nylock 1/2-13.....	2	38	800271	Screw, 5/16-18 x 3/4.....	2
19	542283	Pivot wldmnt, actuator.....	1	39	543411	Pad, arm rest (LH).....	1
20	800326	Screw, 1/2-13 x 1 1/4.....	4	40	801070	Screw, 5/16-18 x 3/4 CR.....	2

Exmark black touch up spray paint - Gloss black

Exmark red touch up spray paint - P/N 850337

AXLE and HYDRAULICS



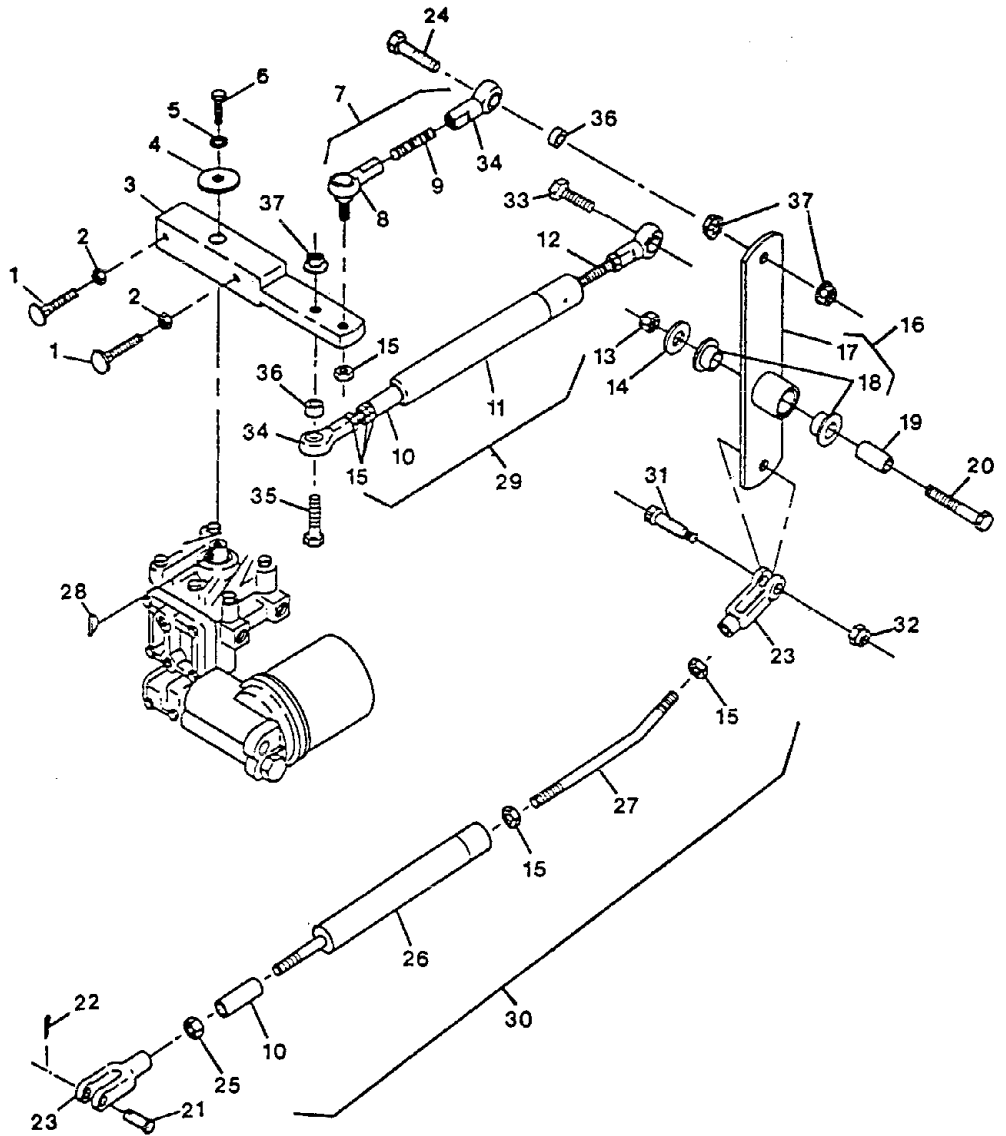
Ref. No.	Part No.	Description	Qty. Req'd.	Ref. No.	Part No.	Description	Qty. Req'd.
1*	602997	Hub, wheel (tapered)	2	22	543054	Pin, guide.....	2
	613150	Stud, 1/2-20.....	8	23	802002	Screw, 10-32 x 1/2 thrd ctng..	6
2	803045	Screw, whizlock 3/8-16 x 3/4 ..	4	24	543541	Breather, filler & cap	1
3*	543485	Bearing, pillow base	2	25	800271	Capscrew, 5/16-18 x 3/4.....	1
f	840022	Pro-Lock, Nut Type (.5cc Tube) Use on Setscrews in Bearings.		26	542913	Tank, hydraulic	1
4*	373021	Clamp, collar (1")	2	27	543894	Oil Eye, hyd tank.....	1
5	800290	Capscrew, 3/8-16 x 3/4	4	28	543889	Elbow, 90°.....	2
6	303327	Washer, disc spring 3/8	2	29	543864	Suction strainer.....	1
7	543996	Stabilizer, axle (upper).....	1	30	807019	Key, woodruff 1 x 1/4	2
8	543476	Stabilizer, (axle lower).....	1	31	543680	Tire, 20 x 10-8.....	2
9	809007	Nut, whizlock 3/8-16.....	10	32	513042	Rim	2
10	805260	Washer, 3/8 stdn. Flat.....	2	33	543396	Tire and wheel assy.....	2
11	800256	Capscrew, 1/4-20 x 1-1/2.....	1	34	513011	Nut, wheel 1/2-20.....	8
12	805004	Lockwasher, 1/4 hvy. spring ...	1	35	803040	Nut, slotted 3/4-16	2
13	503033	Washer, pulley retainer	1	36	806800	Pin, cotter, 9/64 x 1-1/2.....	2
14	543359	Fan, 7" OD/10 blade	1	37	543055	Transaxle 851-114 Series	1
15	543317	Spacer, fan.....	1	38	543888	Elbow, 45°.....	1
16	806328	Rollpin, 7/32 x 7/8	1	f	603919	O-Ring	1
17	543928	Pulley, cast iron.....	1	39	807525	Bolt, 3/8-16 x 2-3/4 carriage ...	2
18	543887	Elbow, 90°	1	f	840022	Pro-Lock, Nut Type (.5cc Tube) Use on Threads	
f	603919	O-Ring.....	1	40	807006	Key, woodruff 3/8 x 5/16.....	1
19	543892	Hose Clamp	4	41	809001	Nut, whizlock 5/16-18	4
20	543930	Hose, 17.25 Push Lok.....	1	42	513211	Element, oil filter	1
21	543931	Hose, 8.0 Push Lok.....	1				

* Apply Anti-Seize compound to bore.

f Not Illustrated.

Exmark black touch up spray paint - Gloss black

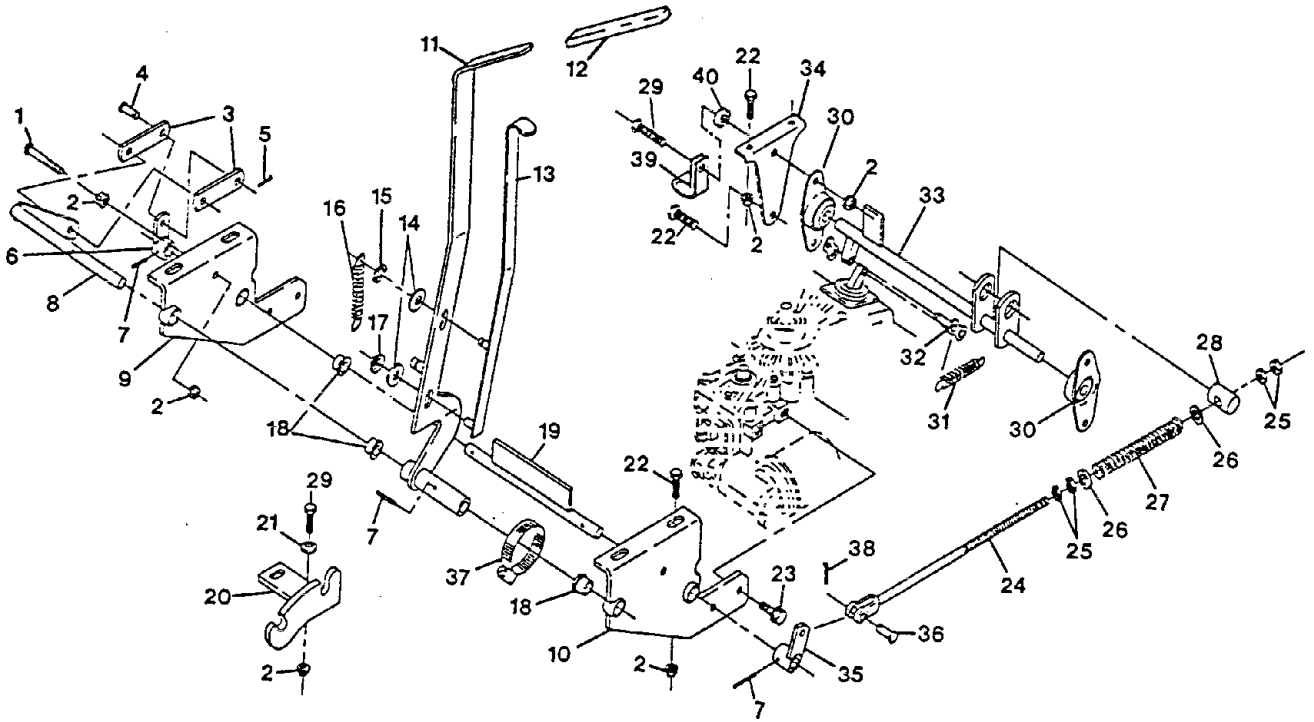
MOTION CONTROLS



Ref. No.	Part No.	Description	Qty. Req'd.	Ref. No.	Part No.	Description	Qty. Req'd.
1	807522	Bolt, carriage 5/16-18 x 2	2	20	800279	Capscrew, 5/16-18 x 2-1/2.....	1
2	804506	Nut, 5/16-18.....	2	21	808280	Pin, clevis 5/16 x 1	1
3	542916	Arm, transaxle	1	22	806753	Pin, cotter 3/32 x 1/2	1
4	503033	Washer, pulley retainer	1	23	303105	Yoke, adjustable.....	2
5	805004	Washer, lock 1/4 hvy spring ...	1	24	800275	Capscrew, 5/16-18 x 1-1/2.....	1
6	800751	Capscrew, 1/4-20 x 1-1/2	1	25	804521	Nut, 5/16-24	1
7	544722	Linkage, motion control	1	26	512136	Housing, override.....	1
8	513132	Joint, ball	1	27	543052	Rod, link	1
9	543710	Rod, end.....	1	28	807002	Key, woodruff #3, 1/8 x 1/2	1
10	513479	Bushing, spring guide.....	2	29	542725	Spring assy, pedal (center)	1
11	542724	Centering spring wldmnt.....	1	30	542053	Spring, pedal (override)	1
12	543148	Rod, end.....	1	31	809057	Screw, 5/16 x 3/4 sckt hd shld	1
13	804256	Nut, nylock 5/16-18	1	32	804255	Nut, nylock 1/4-20	1
14	805258	Washer, 5/16 std. flat	1	33	800513	Capscrew, 5/16-24 x 1	1
15	804758	Nut, jam 5/16-24 (RH)	8	34	543017	Ball joint.....	3
16	544711	Idler linkage S/A	1	35	800274	Capscrew, 5/16-18 x 1-1/4.....	1
17	542144	Linkage, idler.....	1	36	603500	Spacer.....	2
18	513140	Bearing, control	2	37	809001	Nut, whizlock 5/16-18.....	3
19	543486	Bushing	1				

Exmark black touch up spray paint - Gloss black

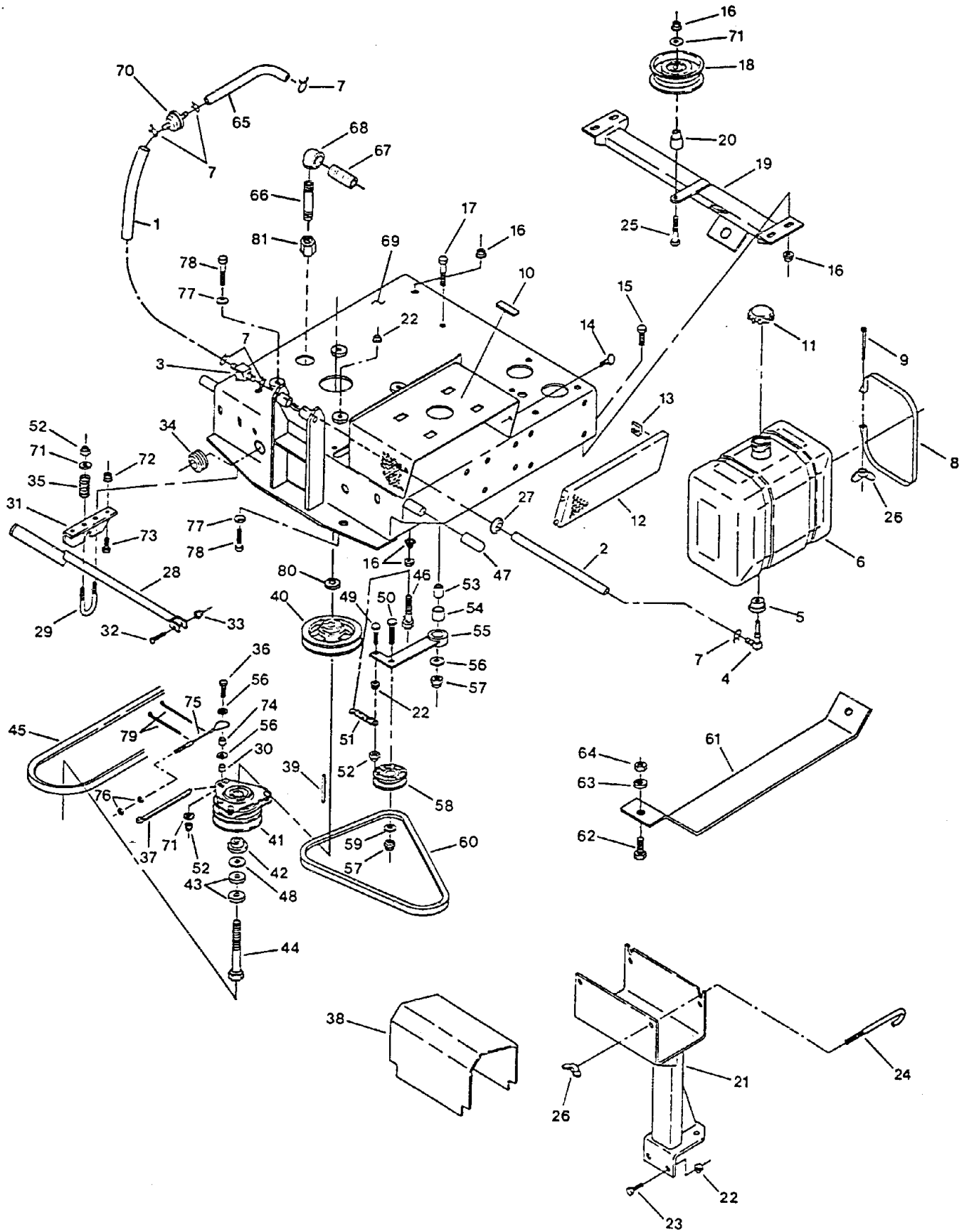
PARKING BRAKE



Ref. No.	Part No.	Description	Qty. Req'd.	Ref. No.	Part No.	Description	Qty. Req'd.
1	800278	Capscrew, 5/16-18 x 2-1/4.....	1	21	303334	Washer, disc 5/16.....	2
2	809001	Nut, whizlock, 5/16-18	13	22	800271	Capscrew, 5/16-18 x 3/4	9
3	543115	Link, brake	2	23	803032	Bolt, whizlock 5/16-18 x 3/4....	4
4	808278	Pin, clevis 5/16 x 3/4	2	24	543721	Linkage, brake.....	1
5	806761	Pin, cotter 1/8 x 3/4	2	25	804760	Nut, jam 3/8-24 pltd	4
6	542123	Arm, butterfly control.....	1	26	805260	Washer, 3/8	2
7	806328	Roll pin, 7/32 x 7/8	3	27	543132	Spring, brake protect	1
8	542190	Pivot wldmt, brake lever.....	1	28	543129	Pin, trunion	1
9	542924	Support, transmission (LH)	1	29	800273	Capscrew, 5/16-18 x 1	2
10	542926	Support, transmission (RH)	1	30	543514	Flange mntg (side)	2
11	542192	Handle, brake	1	31	543543	Spring, 3 x 1/2	1
12	303020	Grip (adjustment lever)	1	32	543745	Link, connector #60	1
13	542719	Trigger, brake	1	33	542748	Jackshaft, brake	1
14	805257	Washer, 5/16	2	34	543138	Mount, jackshaft bearing	1
15	808512	E Ring	1	35	542121	Arm, brake control	1
16	513468	Spring, brake handle.....	1	36	808280	Pin, clevis, 5/16 x 1	1
17	543798	Pushnut, 5/16.....	1	37	543892	Clamp, hose	1
18	513140	Bearing control	4	38	806753	Pin, clevis 3/32 x 1/2	1
19	542125	Butterfly.....	1	39	213148	Clamp	1
20	542900	Quadrant, brake.....	1	40	543007	Spacer	1

Exmark red touch up spray paint - P/N 850337

ENGINE DECK GROUP



ENGINE DECK GROUP

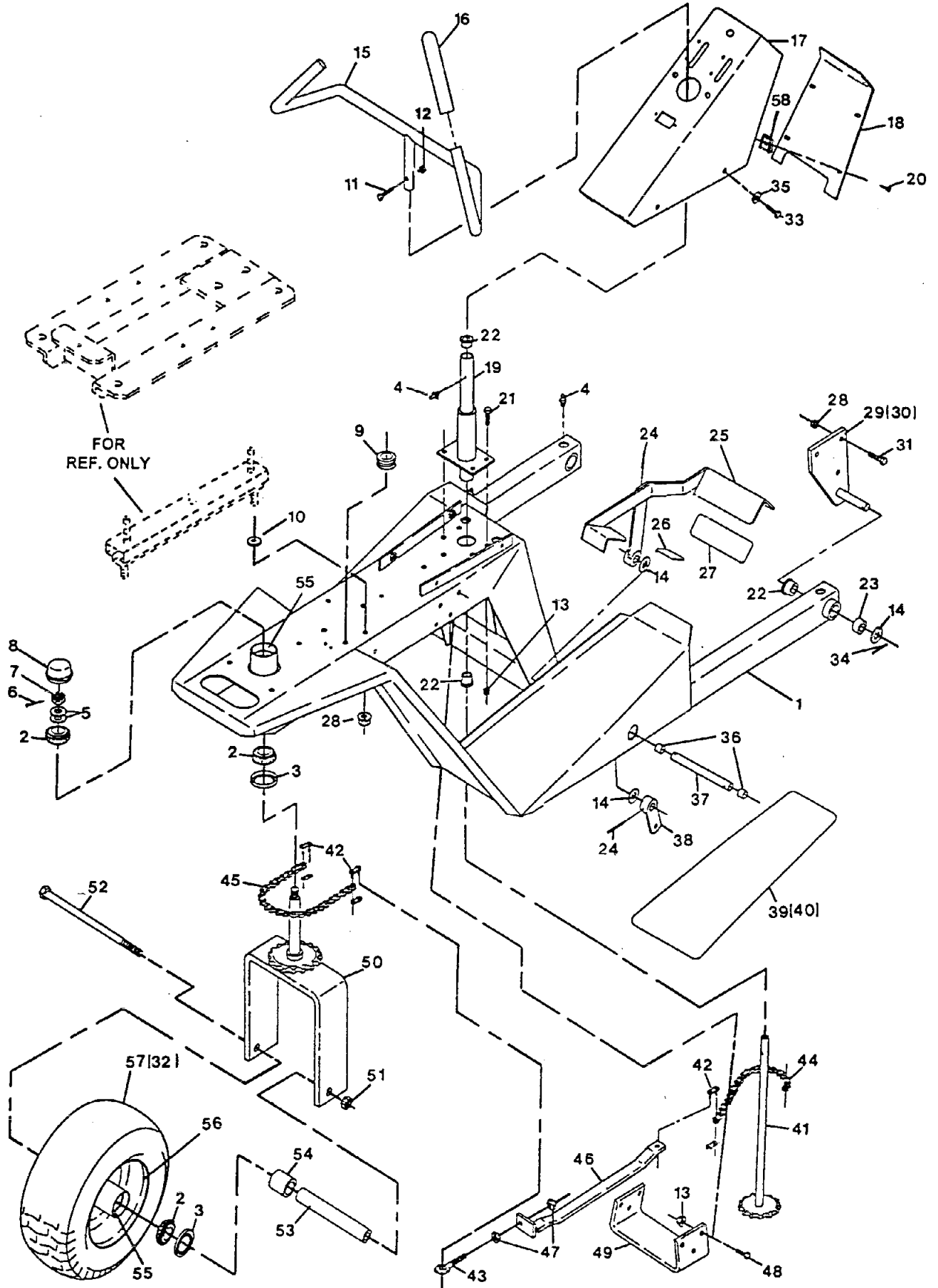
Ref. No.	Part No.	Description	Qty. Req'd.	Ref. No.	Part No.	Description	Qty. Req'd.
1	513581	Fuel line, 18" (Kohler).....	1	44	800820	Capscrew, 7/16-20 x 3.....	1
2	303306	Fuel line, 10"	1		840022	Pro-Lock, Nut type (.5 ml Tube)	
3	603770	Valve, fuel line.....	1	45	543523	Belt, deck drive (60" Deck)	1
4	543277	Elbow, fuel tank w/screen	1		543749	Belt, deck drive (52" Deck)	1
5	513645	Bushing, fuel valve	1	46	800295	Capscrew, 3/8-16 x 1-3/4	1
6	543364	Tank, gas	1	47	303021	Grip (drive lever).....	2
7	303077	Clamp, gas line (Kohler).....	6	48	373034	Washer, pivot.....	1
8	303465	Strap, fuel tank.....	2	49	807518	Bolt, carriage 5/16-18 x 1-1/4.	1
9	801062	Screw, 1/4-20 x 2-1/2.....	2	50	807517	Bolt, carriage 3/8-16 x 1-3/4 ...	1
10	303315	Gas tank pad.....	2	51	513170	Spring	1
11	513508	Cap, fuel tank.....	1	52	804256	Nut, nylock 5/16-18.....	4
12	542045	Screen, air intake	1	53	543274	Bushing, steel	1
13	809024	Nut, retainer 1/4-20	1	54	543502	Bushing, bronze.....	1
14	543791	Screw, thumb 1/4-20 x 3/4	1	55	542270	Arm, hyd drive idler.....	1
15	800290	Capscrew, 3/8-16 x 3/4	4	56	213069	Strut, adjustment spacer.....	3
16	809007	Nut, flange 3/8-16.....	8	57	804257	Nut, nylock 3/8-16.....	2
17	800296	Capscrew, 3/8-16 x 2	1	58	543008	Pulley, idler (steel)	1
18	543877	Pulley, idler 5 3/4 OD	1	59	805259	Washer, 3/8 SAE	1
19	542958	Cross member	1	60	543548	Belt, "A" (transmission drive) ..	1
20	543879	Bushing, idler	1	61	543258	Plate, skid	1
21	542069	Mount, battery	1	62	800326	Capscrew, 1/2-13 x 1.25.....	2
22	809001	Nut, whizlock 5/16-18.....	9	63	805008	Washer, 1/2	2
23	800271	Capscrew, 5/16-18 x 3/4	4	64	804509	Nut, 1/2-13	2
24	543882	Bolt, hold down.....	2	65	543649	Fuel line, 7" (Kohler)	1
25	800297	Capscrew, 3/8-16 x 2-1/4.....	1	66*	303427	Nipple, 3/8 NPT x 2.5.....	1
26	543792	Wingnut, nylock 1/4.....	4	67*	543064	Nipple, 3/8 NPT x 1.5 (Koh)....	1
27	543296	Grommet, fuel line.....	1	68*	303428	Elbow, 3/8 NPT (Kohler).....	1
28	542948	Lever, drive release	1	69	542268	Deck, engine.....	1
29	543935	U-Bolt, 5/16-18	1	70	303197	Gas filter (Kohler).....	1
30	543007	Spacer, clutch anchor	1	71	805258	Washer, 5/16	4
31	543933	Bracket, neutral lever	1	72	809012	Nut, whizlock 1/4-20	2
32	800262	Screw, 1/4-20 x 1-3/8	1	73	800251	Capscrew, 1/4-20 x 5/8.....	2
33	804255	Nut, nylock 1/4-20	1	74	323093	Spacer	1
34	543286	Grommet	1	75	542046	Cable assembly	1
35	303160	Compression spring	2	76	804255	Nut, nylock 1/4-20.....	3
36	800275	Capscrew, 5/16-18 x 1-1/2	1	77	303334	Washer, disc spring 5/16	4
37	303335	Plastic tie, large.....	1	78	800276	Capscrew, 5/16-18 x 1-3/4	4
38	543891	Battery cover	1	79	303287	Plastic tie, small.....	2
39	807259	Key, 1/4 x 1/4 x 1	1	80	543214	Spacer, crankshaft.....	1
40	543929	Pulley, engine.....	1	81	543233	Cap, 3/8 NPT hex	1
41	542322	Clutch, electric (Warner)	1				
42	603609	Bushing, clutch keeper.....	1				
43	603610	Washer, spring disc 7/16	2				

* Use Teflon Pipe Sealant or equivalent on threads.

Exmark red touch up spray paint - P/N 850337

Exmark black touch up spray paint - Gloss black

RIDER FRAME and STEERING



RIDER FRAME and STEERING

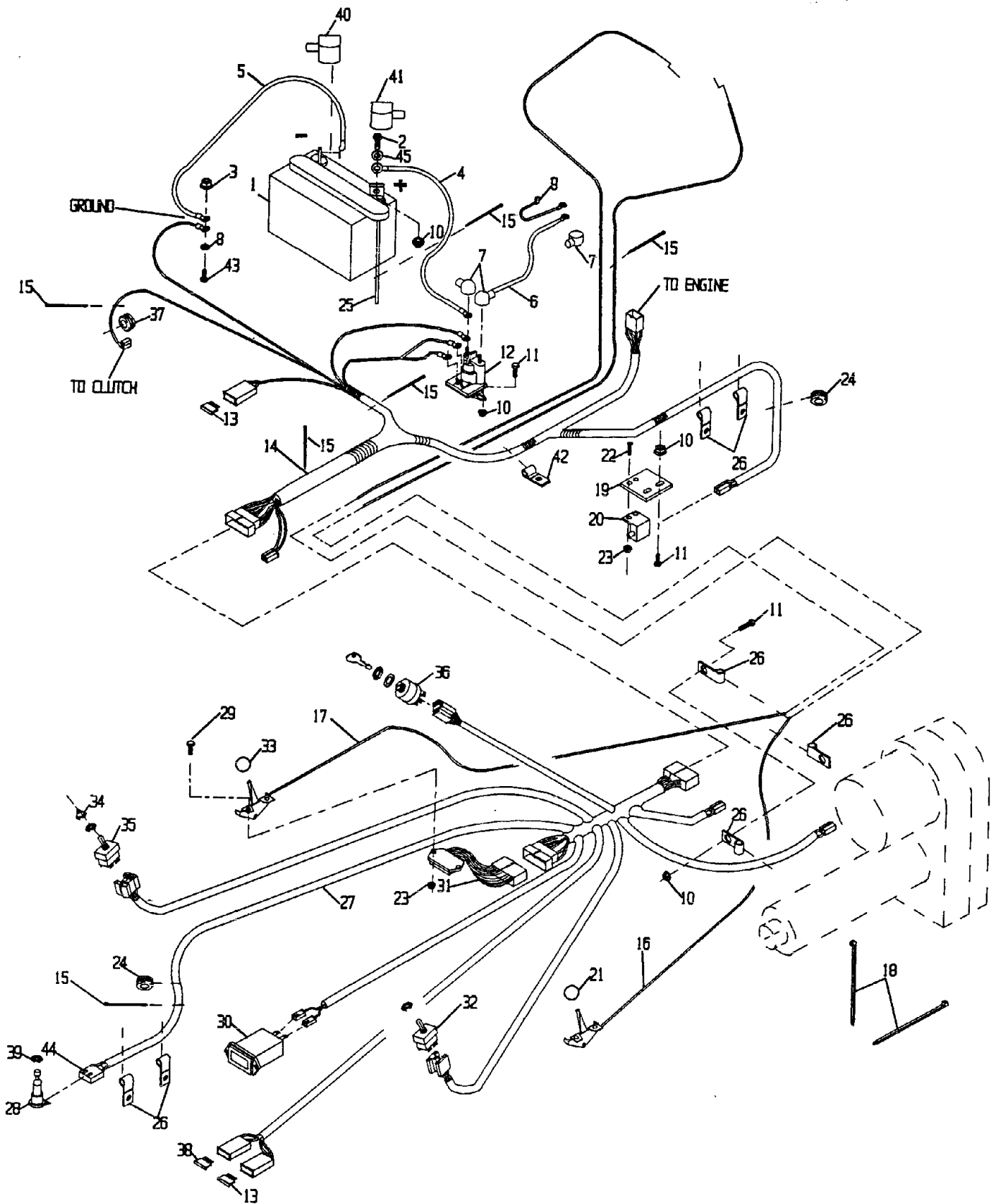
Ref. No.	Part No.	Description	Qty. Req'd.	Ref. No.	Part No.	Description	Qty. Req'd.
1	542920	Frame, rider.....	1	31	800273	Capscrew, 5/16-18 x 1.....	5
2	543509	Bearing cone, tapered roller...	4	32	543679	Tire, 18 x 7.50-8.....	1
3	543511	Seal, grease.....	3	33	800251	Capscrew, 1/4-20 x 5/8.....	4
4	811006	Zerk, 1/4-28 (straight).....	3	34	806332	Rollpin, 1/4 x 1-1/2.....	2
5	805269	Washer, 3/4sae.....	2	35	805255	Washer, 1/4.....	4
6	806770	Pin, cotter 5/32 x 1.25.....	1	36	513588	Bearing, DU.....	2
7	803040	Nut, slotted 3/4-16.....	1	37	543172	Shaft, foot pedal.....	1
8	543513	Cap, grease.....	1	38	542140	Lever, foot pedal.....	1
9	543296	Grommet.....	1	39	543159	Pad, rider anti-skid (R).....	1
10	805258	Washer, 5/16.....	2	40f	543158	Pad, rider anti-skid (L).....	1
11	800294	Capscrew, 3/8-16 x 1-1/2.....	1	41	542850	Shaft, steering.....	1
12	804257	Nut, nylock 3/8-16.....	1	42	543573	Link, connector #40.....	4
13	809007	Nut, flange 3/8-16.....	10	43	543579	Eyebolt, 5/16-18.....	2
14	303007	Washer, 6" caster pivot.....	4	44	543885	Chain, #40-29 Pitch.....	1
15	542428	Handle bar.....	1	45	543886	Chain, #40-33 Pitch.....	1
16	543575	Grip, handle bar.....	2	46	542870	Link.....	2
17	543978	Console.....	1	47	804751	Nut, jam 5/16-18.....	4
18	543482	Cover, console.....	1	48	800292	Capscrew, 3/8-16 x 1.....	6
19	542728	Steering post.....	1	49	553007	Stop, actuator.....	1
20	802006	Screw, 10-24 x 1/2.....	4	50	542872	Mount, steering wheel.....	1
21	800290	Capscrew, 3/8-16 x 3/4.....	4	51	803042	Nut, torque 5/8-11.....	1
22	303199	Bushing, 6" caster flange.....	4	52	800346	Capscrew, 5/8-11 x 10-1/2.....	1
23	303200	Sleeve, 6" caster.....	2	53	543552	Bushing, wheel.....	1
24	806331	Roll Pin, 1/4 x 1-1/4.....	2	54	543556	Spacer, wheel (short).....	2
25	542183	Pedal, foot.....	1	55	543508	Bearing cup.....	4
26	543161	Pad, reverse control pedal.....	1	56	543674	Rim.....	1
27	543160	Pad, forward control pedal.....	1	57	543397	Tire/whl assy, 18.0 x 7.50-8....	1
28	809001	Nut, whizlock 5/16-18.....	9	58	803055	U-clip, #10-24.....	4
29	542196	Bracket, pivot (RH).....	1				
30f	542194	Bracket, pivot (LH).....	1				

f Not Illustrated.

Exmark red touch up spray paint - P/N 850337

Exmark black touch up spray paint - Gloss black

ELECTRICAL GROUP

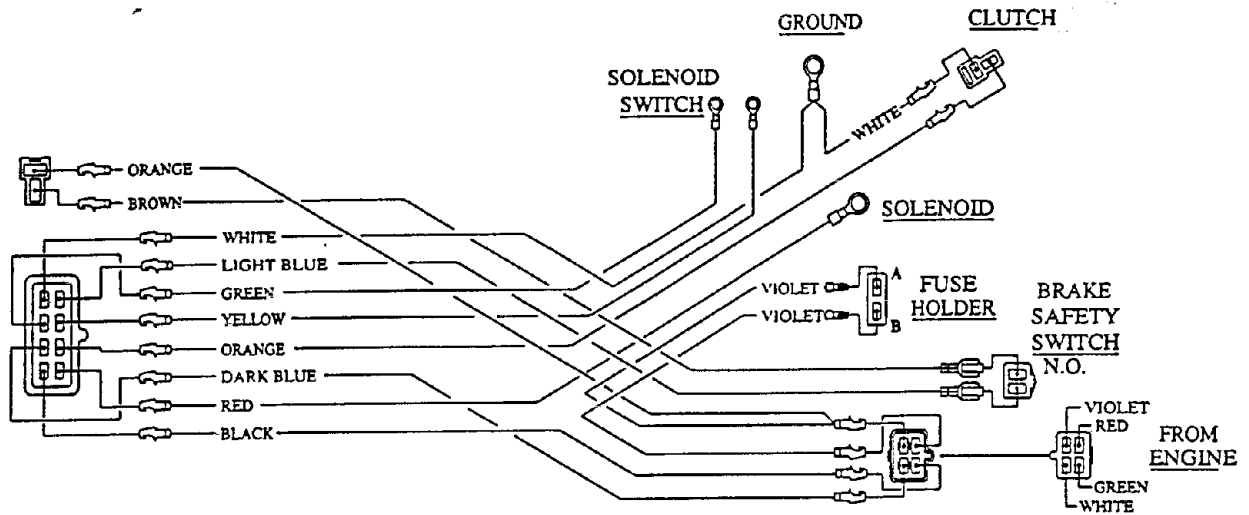


ELECTRICAL GROUP

Ref. No.	Part No.	Description	Qty. Req'd.	Ref. No.	Part No.	Description	Qty. Req'd.
1	603479	Battery, 12 volt	1	24	543296	Grommet	1
2	800252	Capscrew, 1/4-20 x 3/4	2	25	809040	Hose, battery manifold (23") ...	1
3	809001	Nut, whizlock 5/16-18	1	26	513762	Clip, 1/2" Loom	7
4	513053	Wire, battery (pos. +)	1	27	543403	Harness, wire (rider)	1
5	543767	Wire, ground (-)	1	28	603760	Switch, seat safety	1
6	543766	Wire, starter (Kohler)	1	29	807527	Bolt, carriage. 10-24 x 3/4	4
7	543393	Insulator, solenoid (pos. +)	3	30	513374	Meter, engine hours	1
8	303334	Washer, disc spring 5/16	1	31	543316	Module, safety interlock	1
9	543084	Wire, starter solenoid (Koh)....	1	32	543018	Switch, toggle w/clip term.....	1
10	809012	Nut, whizlock 1/4-20	12	33	513593	Knob, black ball	1
11	800251	Capscrew, 1/4-20 x 5/8	10	34	543386	Boot, toggle switch	1
12	513075	Switch, 12 volt solenoid	1	35	543385	Switch, toggle DPDT	1
13	816001	Fuse, blade 20 AMP	2	36	543070	Ignition switch	1
14	543065	Harness, wire (engine)	1		603511	Ignition key	2
15	303287	Plastic tie, (small)	6	37	543286	Grommet	1
16	543697	Cable, throttle	1	38	816003	Fuse, blade 30 AMP	1
17	543072	Cable, choke	1	39	543348	Nut, 5/8-32 (seat switch)	1
18	303335	Plastic tie, (large)	2	40	543391	Insulator, battery positive	1
19	323128	Bracket, safety switch	1	41	543390	Insulator, battery negative	1
20	513051	Switch, neutral lockout	1	42	603727	Clip, 9/16 Loom	1
21	513592	Knob, red ball	1	43	800276	Capscrew, 5/16-18 x 1-3/4	1
22	803017	Screw, 10-24 x 5/8 flathead....	2	44	543335	Connector, Packard 2-way	1
23	804252	Nut, nylock 10-24	6	45	805256	Flatwasher, 1/4	2

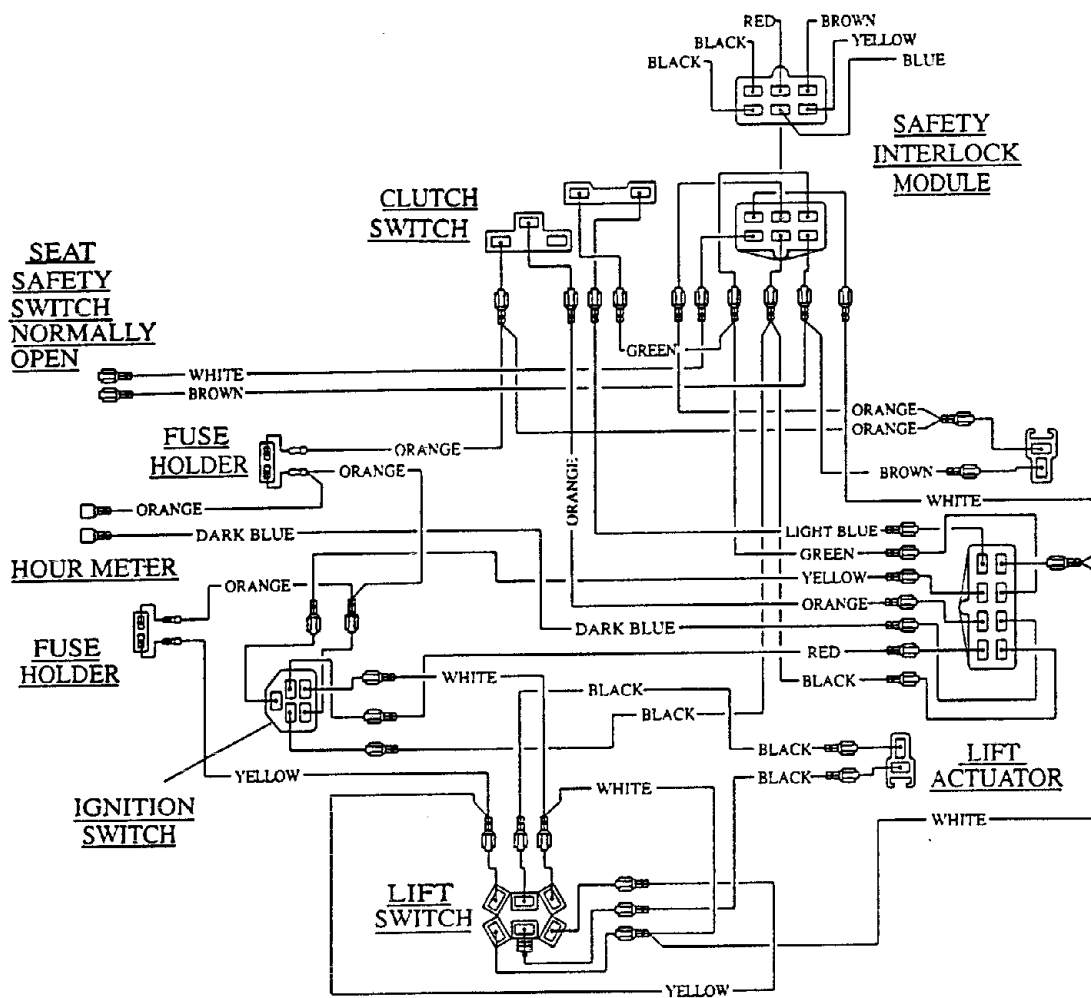
NOTE: Apply dielectric grease to all electrical connectors.

ELECTRICAL DIAGRAM



Engine Deck Wiring Diagram

Note: All connectors are viewed from the wire input side of the connector.
 N.O. = Normally Open



Console Wiring Diagram

Note: All connectors are viewed from the wire input side of the connector.
 N.O. = Normally Open

**SEE EXMARK'S COMPLETE
LINE OF PRODUCTS FOR TURF CARE**

LAZER Z

EXPLORER

TURF RANGER

TURF TRACER HYDRO

TURF TRACER HP

VIKING 5-SPEED

VIKING HYDRO

METRO

SELF STEERING SULKY

GRASS CATCHER

MICRO-MULCHING ACCESSORY

**EXMARK MFG. CO. INC.
INDUSTRIAL PARK BOX 808
BEATRICE, NE. 68310**

ALL RIGHTS RESERVED

**PART NO. 850446
(402) 223-4010
FAX (402) 223-4154**

PRINTED IN U.S.A.

